



FWP ENTERPRISE LLC

d.b.a. Archadeck of Northeast Cleveland

ALL CONSTRUCTION PLANS ARE PROVIDED AS IS. ARCHADECK FRANCHISING CORPORATION DISCLAIMS ALL OTHER WARRANTIES, EXPRESS OR IMPLIED, INCLUDING MERCHANTABILITY OR FITNESS OF PURPOSE. ARCHADECK FRANCHISING CORPORATION IS NOT LIABLE FOR INCIDENTAL, SPECIAL, CONSEQUENTIAL, OR INDIRECT DAMAGES OF ANY KIND, INCLUDING, BUT NOT LIMITED TO, LOSS OF ANTICIPATED PROFITS, BUSINESS OPPORTUNITY OR OTHER ECONOMIC LOSS ARISING OUT OF THE USE OF SERVICES OR ANY CONSTRUCTION PLANS RECEIVED FROM ARCHADECK FRANCHISING CORPORATION, EVEN IF ARCHADECK FRANCHISING CORPORATION HAS BEEN ADVISED OF THE POSSIBILITY OF SUCH DAMAGE. IT IS THE BUILDER'S RESPONSIBILITY TO ENSURE THE ACCURACY, COMPLIANCE WITH APPLICABLE STATUTE(S) OR REGULATION(S), AND FITNESS OF PURPOSE OF ANY PLANS OR CONSTRUCTION INFORMATION RECEIVED FROM ARCHADECK FRANCHISING CORPORATION PRIOR TO THE USE THEREOF.

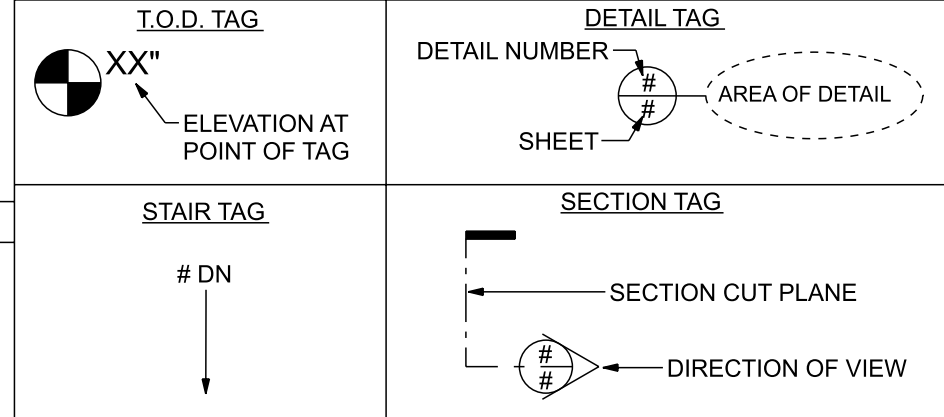
ARCHADECK FRANCHISING CORPORATION IS NOT ENGAGED IN RENDERING PROFESSIONAL SERVICES OR ADVICE. USE OF ANY CONSTRUCTION INFORMATION PROVIDED BY ARCHADECK FRANCHISING CORPORATION IS SUBJECT TO THE ADDITIONAL DISCLAIMERS AND CAVEATS THAT MAY APPEAR THROUGHOUT THE CONSTRUCTION PLANS, CONTRACTS AND OTHER DOCUMENTS PROVIDED TO THE BUILDER AND CUSTOMER.

DESIGN LOAD CRITERIA

FOOTING/FOUNDATION LOADS	P.S.F.	CEILING	P.S.F.
LIVE LOAD	40	WITH STORAGE (L/240)	20
DEAD LOAD	10	WITHOUT STORAGE (L/240)	10
TOTAL DESIGN LOAD	50		
DECK LOADS (L/240)	P.S.F.	WITH STORAGE (L/360)	P.S.F.
(DECK FRAMING)		WITHOUT STORAGE (L/360)	10
FRAMING DESIGN LIVE LOAD	60	DEAD LOAD	10
FRAMING DESIGN DEAD LOAD	10		
TOTAL FRAMING DESIGN LOAD	70		
FLOOR LOADS (L/360)	P.S.F.	ROOF LOADS (L/240)	P.S.F.
LIVE LOAD (LIVING)	40	LIVE LOAD	20
LIVE LOAD (SLEEPING)	30	DEAD LOAD	10
DEAD LOAD	10	TOTAL DESIGN LOAD	30
SPA LOADS (L/240)	P.S.F.	PERGOLA LOADS (L/240)	P.S.F.
LIVE LOAD	100	LIVE LOAD	10
DEAD LOAD	10	DEAD LOAD	5
TOTAL DESIGN LOAD	110	TOTAL DESIGN LOAD	15
ASSUMED SPA LOADING, VERIFY w/ SPA MANUFACTURER		**ASSUMED OPEN FRAMED PERGOLA, NOT DESIGNED FOR SNOW LOADS**	

SMITH
#213-104827
21247 MAPLEWOOD AVE.
ROCKY RIVER, OH., 44116

SYMBOL LEGEND



ABBREVIATIONS:

#B	- BEAM	GLU.	- GLULAM
#BB	- BAND BOARD	H.D.G.	- HOT DIPPED GALVANIZED
#C	- RAIL CAP LENGTH	HDR.	- HEADER
#CB	- COLLAR BEAM	INT.	- INTERIOR
#DB	- DOUBLE BAND	IN.	- INCH
#DJ	- DOUBLE JOIST	LBS.	- POUNDS
#DR	- DOUBLE RAFTER	L.L.	- LIVE LOAD
#F	- FENCE CAP LENGTH	L.V.L.	- LAMINATED VENEER LUMBER
#G	- GIRDER	LWR.	- LOWER
#HB	- HOUSE BAND	MANUF.	- MANUFACTURER
#HBE	- HOUSE BAND EXTENSION	MAX.	- MAXIMUM
#KB	- KING BEAM	MIN.	- MINIMUM
#QJ	- QUAD JOIST	MOD.	- MODIFIED
#RB	- RIDGE BEAM	N.T.S.	- NOT TO SCALE
#RP	- ROOF PLATE	O.C.	- ON CENTER
#TB	- TRIPLE BAND	OPT.	- OPTIONAL
#TJ	- TRIPLE JOIST	O.S.B.	- ORIENTED STRAND BOARD
ALT.	- ALTERNATE	P.L.	- POINT LOAD
ALUM.	- ALUMINUM	P.L.F.	- POUNDS PER LINEAR FOOT
APPROX.	- APPROXIMATE	P.S.F.	- POUNDS PER SQUARE FOOT
BD.	- BOARD	P.S.I.	- POUNDS PER SQUARE INCH
B.O.B.	- BOTTOM OF BEAM	P.S.L.	- PARALLEL STRAND LUMBER
⊕	- CENTER LINE	P.T.	- PRESSURE TREATED
CJ	- CEILING JOIST	P.T.T.	- POUR TO TOP
C.M.U.	- CONCRETE MASONRY UNIT	P.V.C.	- POLY VINYL CHLORIDE
CONC.	- CONCRETE	RBD.	- RIDGE BOARD
CONT.	- CONTINUOUS	REQD.	- REQUIRED
DBL.	- DOUBLE	R.O.	- ROUGH OPENING
DIA.	- DIAMETER	RSW	- RIDGE SUPPORT WALL
DIM.	- DIMENSION	S.F.	- SQUARE FOOT/FEET
D.L.	- DEAD LOAD	S.S.	- STAINLESS STEEL
DN.	- DOWN	SQ.	- SQUARE
DTL.	- DETAIL	T&G	- TONGUE & GROOVE
ELEC.	- ELECTRICAL	T.O.B.	- TOP OF BEAM
ELEV.	- ELEVATION (SEE T.O.D.)	T.O.C.	- TOP OF CONCRETE
EQUIV.	- EQUIVALENT	T.O.D.	- TOP OF DECK
EXT.	- EXTERIOR	TYP.	- TYPICAL
FIN.	- FINISH	U.N.O.	- UNLESS NOTED OTHERWISE
FLR.	- FLOOR	UPR.	- UPPER
FND.	- FOUNDATION	W/	- WITH
FT.	- FOOT/FEET	W/O	- WITHOUT
F.V.	- FOUNDATION VENT		

SHEET INDEX

- S101 - FOUNDATION PLAN
- S103 - FRAMING PLAN
- S105 - FLOOR PLAN
- S109 - ROOF PLAN

- S201 - FRONT ELEVATION
- S202 - LEFT ELEVATION
- S203 - RIGHT ELEVATION

- S301 - WALL SECTION(S)

- S501 - S504 DETAIL(S)

ENGINEER OF RECORD
(AS APPLICABLE)

DESIGN CRITERIA: NOTES:

- THIS PROJECT HAS BEEN DESIGNED FOLLOWING THE REGULATIONS OF THE 2019 ORC (OHIO RESIDENTIAL CODE).
- WORK TO MEET LOCAL, STATE AND APPLICABLE RULES AND REGULATIONS.
- IN-GRADE DESIGN VALUES BASED ON AF&PA.
- PROVIDE JOIST HANGERS @ ALL FLUSH FRAME CONDITIONS.
- PRESUMPTIVE SAFE SOIL BEARING CAPACITY = 2000 PSF.
- FROST LINE = 38".
- CONNECTIONS TO EXISTING STRUCTURE FLASHED PER LOCAL CODE

LUMBER:

- ALL FRAMING LUMBER TO BE #2 S.P. (SOUTHERN PINE) OR BETTER, TREATED FOR EXTERIOR USE, PER LOCAL CODE U.N.O.
- ALL GLULAM ENGINEERED TYPE LUMBER TO BE TREATED FOR EXTERIOR USE: GLULAM STRESS CLASS (24F - 1.7E) P.S.I.
- ALL LVL/MICROLLAM ENGINEERED TYPE LUMBER TO BE INTERIOR USE ONLY: LVL STRESS CLASS (2.0E, 2600Fb) P.S.I.
- ALL PWT LVL ENGINEERED TYPE LUMBER TO BE TREATED FOR EXTERIOR USE: LVL STRESS CLASS (2.0E, 2800Fb) P.S.I.
- ALL PSL ENGINEERED TYPE LUMBER TO BE TREATED FOR EXTERIOR USE: PSL STRESS CLASS (2.0E, 2900Fb) P.S.I.

CONCRETE:

- MINIMUM 28 DAY COMPRESSIVE STRENGTH = 3000 PSI.

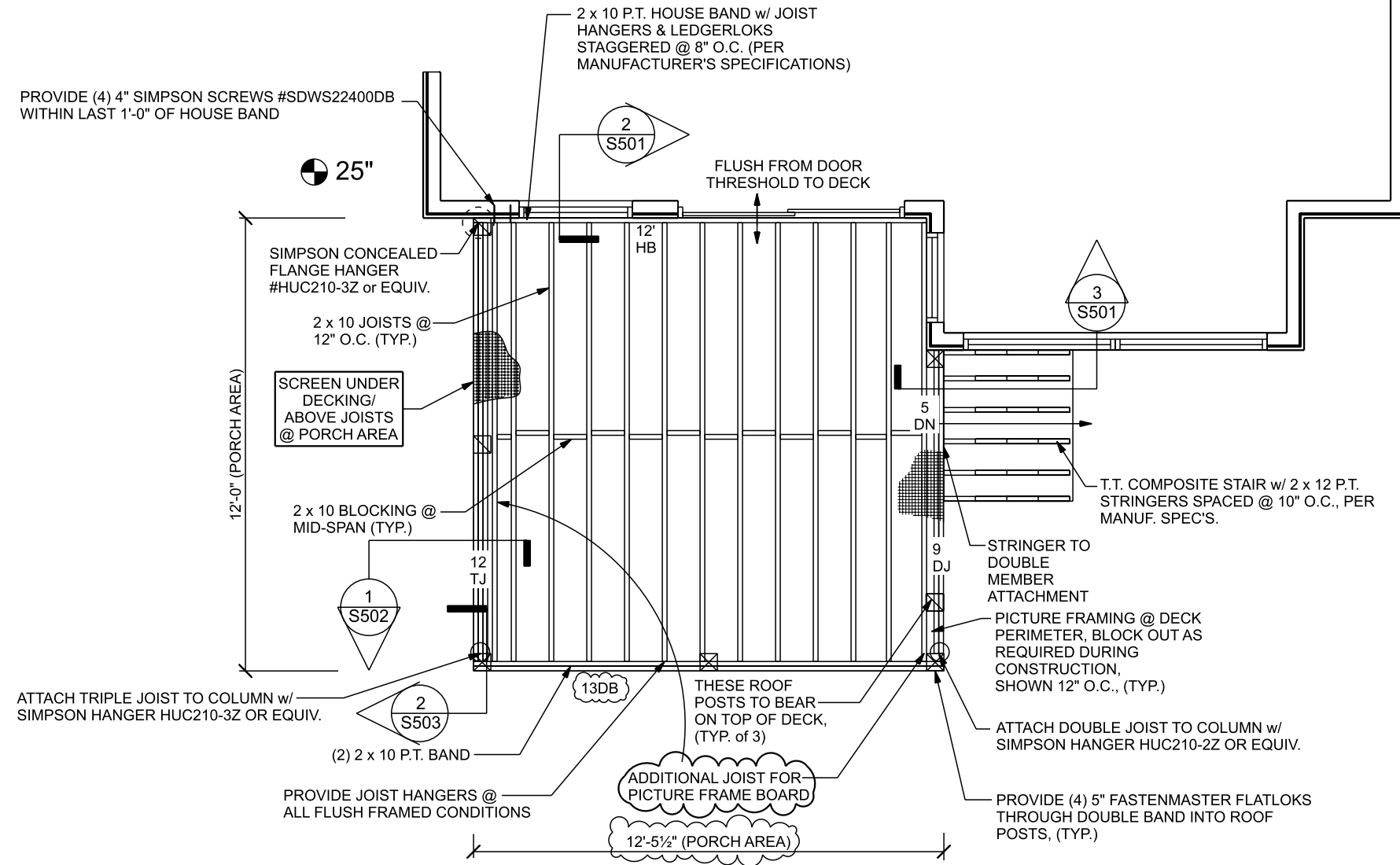
FOR ANY QUESTIONS OR CONCERNS PLEASE CONTACT:

FWP ENTERPRISE LLC
 9066 N. Bedford Road
 Macedonia, OH. 44056
 PHONE: (216) 396-0098

DRAWINGS PREPARED BY: ARCHADECK FRANCHISING CORPORATION
 CONSTRUCTION & DRAFTING DEPARTMENT
 2426 OLD BRICK RD
 GLEN ALLEN, VA 23060

© 2023 ARCHADECK FRANCHISING CORPORATION
 UNAUTHORIZED DUPLICATION IS A VIOLATION OF ALL
 APPLICABLE LAWS

EXISTING RESIDENCE



PROJECT NAME AND ADDRESS
#213-SMITH-104827
21247 MAPLEWOOD AVE.
ROCKY RIVER, OH. 44116
DRAWN BY: TMG EXT: #233

Prepared by:
Archadeck Franchising Corporation
2426 Old Brick Rd
Glen Allen, VA 23060
Construction & Drafting Department
©2023 Archadeck Franchising Corporation
All rights reserved. Unauthorized duplication is a violation of all applicable laws.

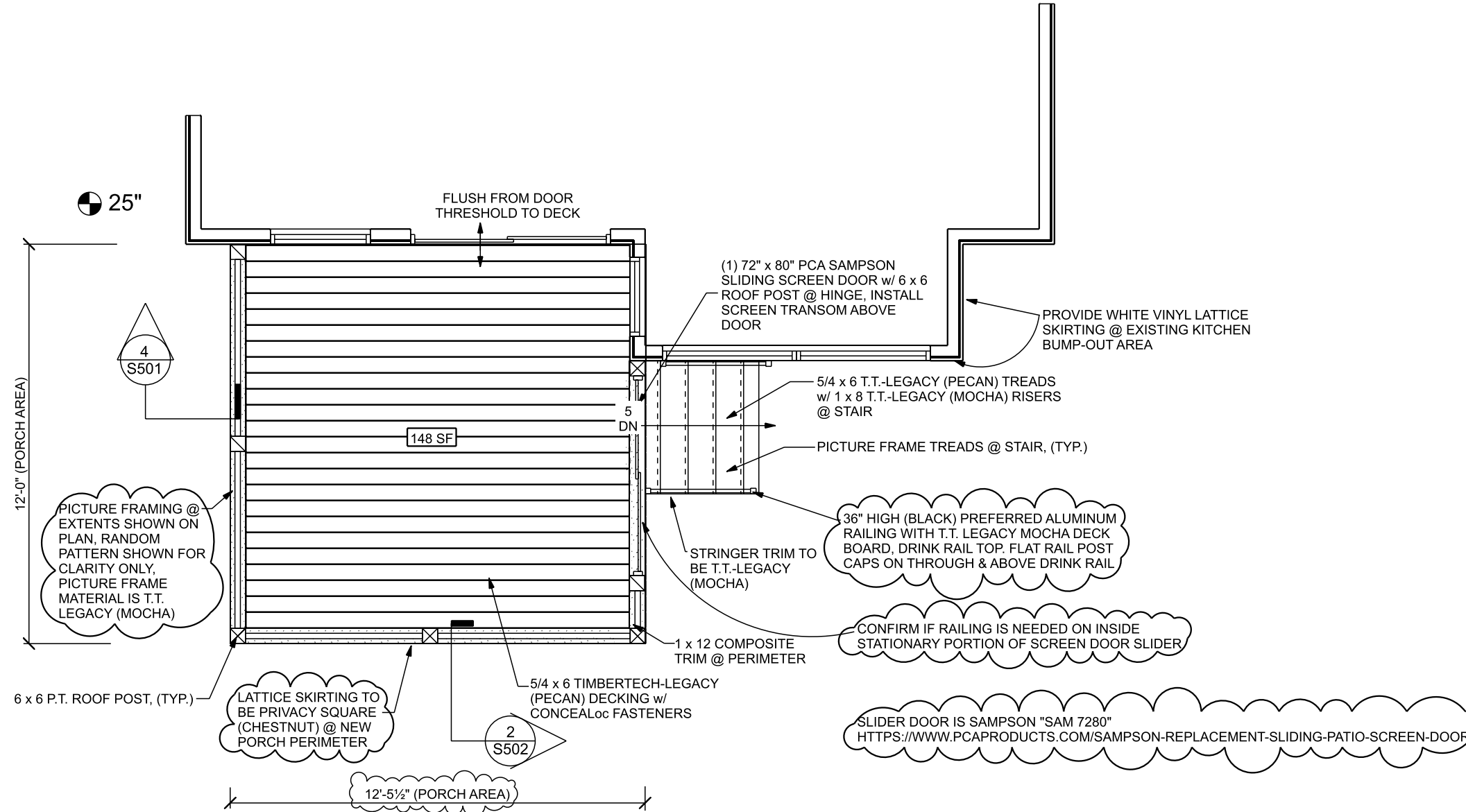
PAGE 3/13

SCALE: 1/4" = 1'-0"

ISSUE
DATE FEBRUARY 10, 2026
REVISION: 1
MARCH 04, 2026

SHEET TITLE
FRAMING PLAN
SHEET # S103

EXISTING RESIDENCE



PROJECT NAME AND ADDRESS
#213-SMITH-104827
21247 MAPLEWOOD AVE.
ROCKY RIVER, OH. 44116
DRAWN BY: TMG EXT: #233

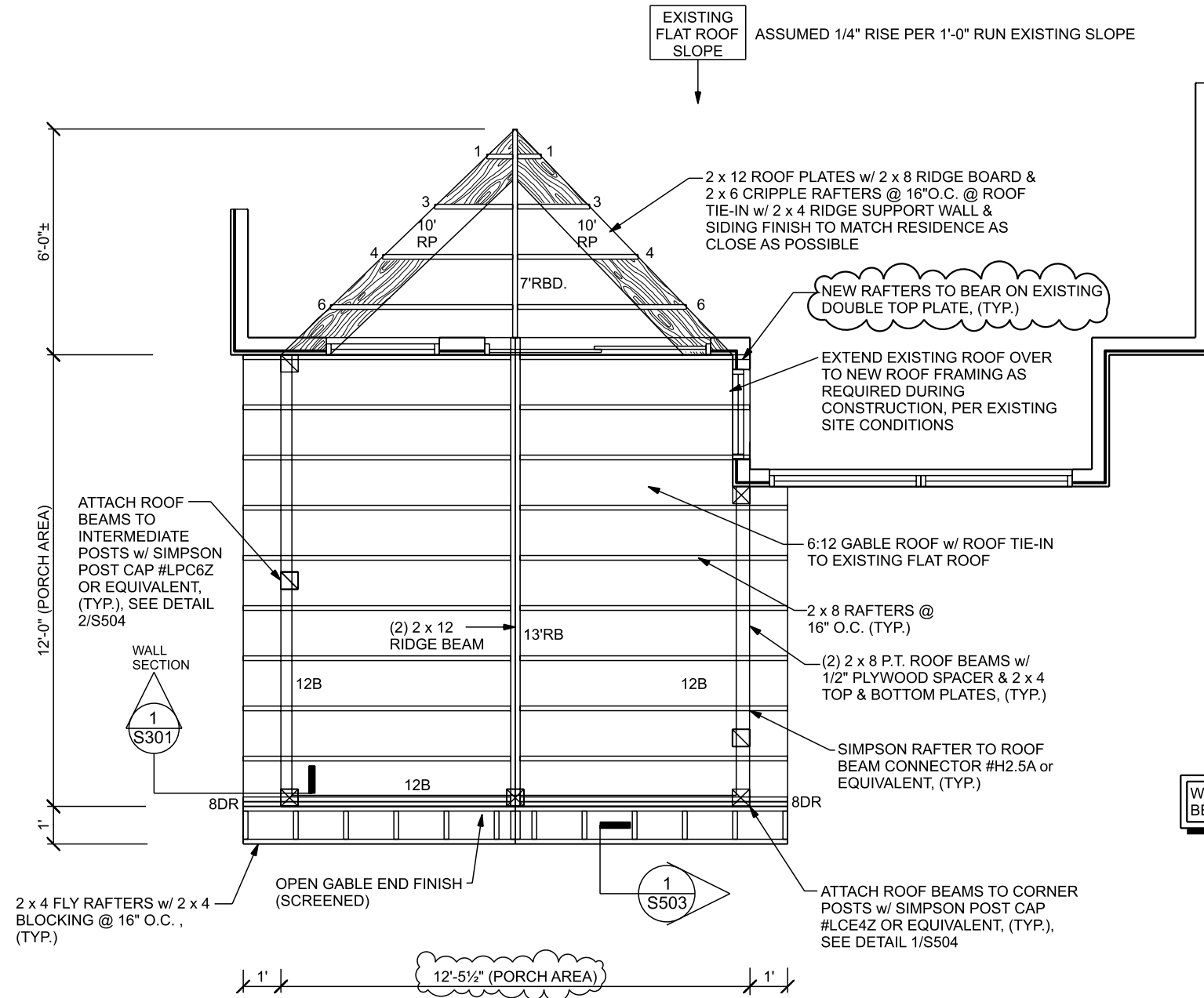
Prepared by:
Archadeck Franchising Corporation
2426 Old Brick Rd
Glen Allen, VA 23060
Construction & Drafting Department
©2023 Archadeck Franchising Corporation
All rights reserved. Unauthorized
duplication is a violation of
all applicable laws.

PAGE
4/13

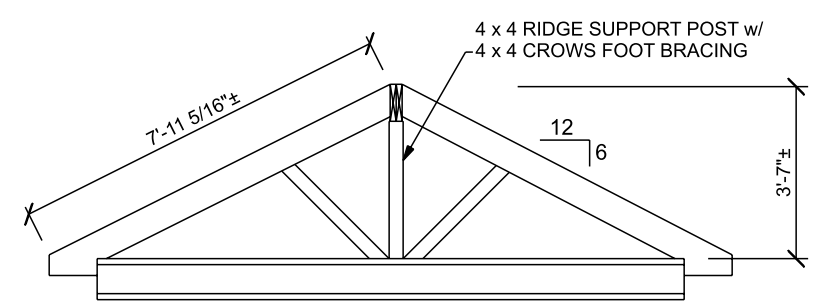
SCALE: 1/4" = 1'-0"

ISSUE
FEBRUARY 10, 2026
DATE
REVISION: 1
MARCH 04, 2026

SHEET TITLE
FLOOR PLAN
SHEET #
S105



WRAP ROOF POSTS & ROOF BEAMS w/ CEDAR TRIM FINISH



GABLE ROOF ELEVATION

PROJECT NAME AND ADDRESS
 #213-SMITH-104827
 21247 MAPLEWOOD AVE.
 ROCKY RIVER, OH. 44116
 DRAWN BY: TMG EXT: #233

Prepared by:
 Archadeck Franchising Corporation
 2426 Old Brick Rd
 Glen Allen, VA 23060
 Construction & Drafting Department
 ©2023 Archadeck Franchising Corporation
 All rights reserved. Unauthorized
 duplication is a violation of
 all applicable laws.

PAGE 5/13

SCALE: 1/4" = 1'-0"

ISSUE
 DATE FEBRUARY 10, 2026
 REVISION: 1
 DATE MARCH 04, 2026

SHEET TITLE
 ROOF PLAN
 SHEET #
S109



PROJECT NAME AND ADDRESS
 #213-SMITH-104827
 21247 MAPLEWOOD AVE.
 ROCKY RIVER, OH. 44116
 DRAWN BY: TMG EXT: #233

Prepared by:
 Archadeck Franchising Corporation
 2426 Old Brick Rd
 Glen Allen, VA 23060
 Construction & Drafting Department
 ©2023 Archadeck Franchising Corporation
 All rights reserved. Unauthorized
 duplication is a violation of
 all applicable laws.

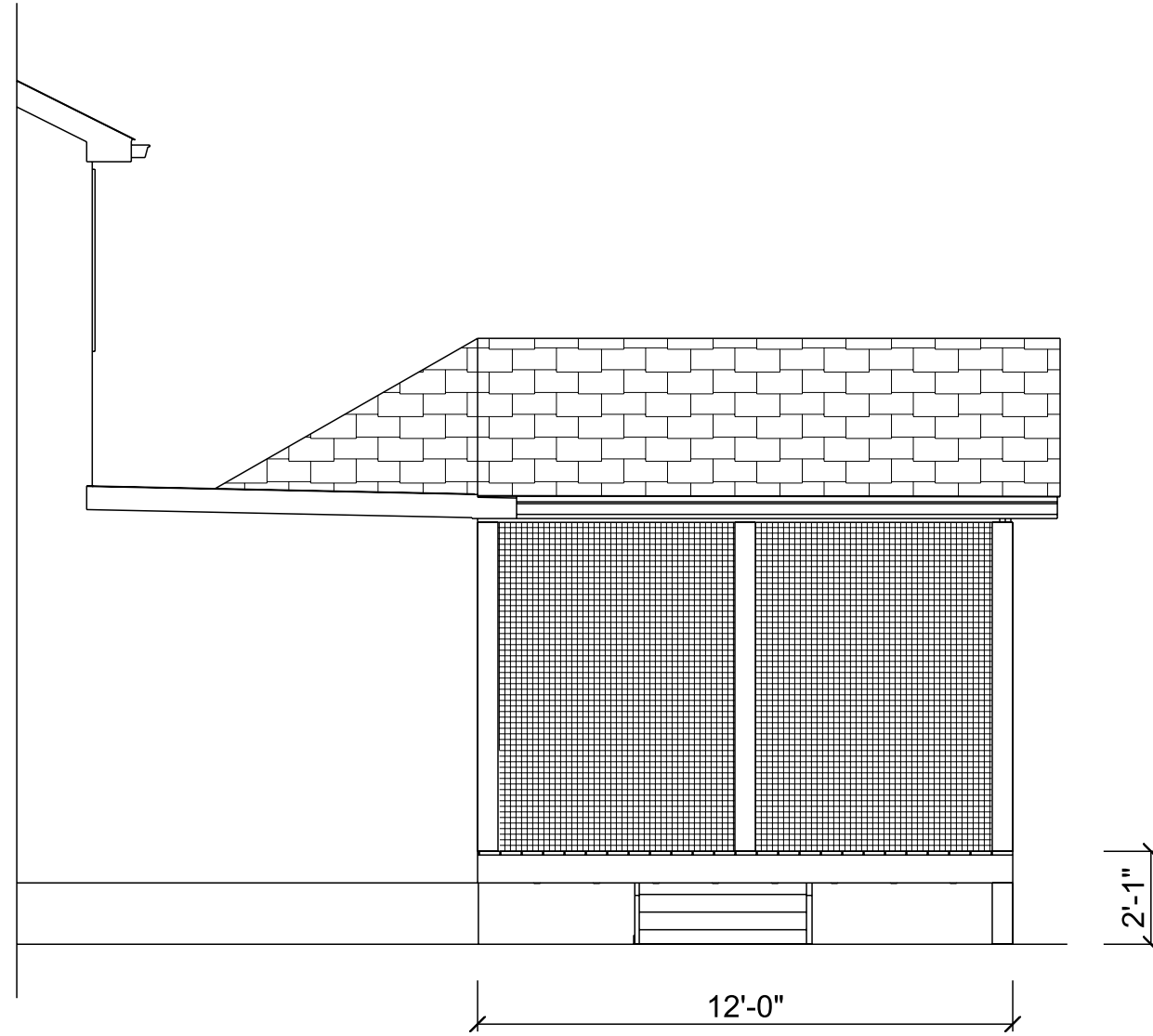
PAGE 6/13

SCALE: 1/4" = 1'-0"

ISSUE
 FEBRUARY 10, 2026
 DATE
 REVISION: 1
 MARCH 04, 2026

SHEET TITLE
 FRONT ELEVATION

SHEET #
 S201



PROJECT NAME AND ADDRESS
 #213-SMITH-104827
 21247 MAPLEWOOD AVE.
 ROCKY RIVER, OH. 44116
 DRAWN BY: TMG EXT: #233

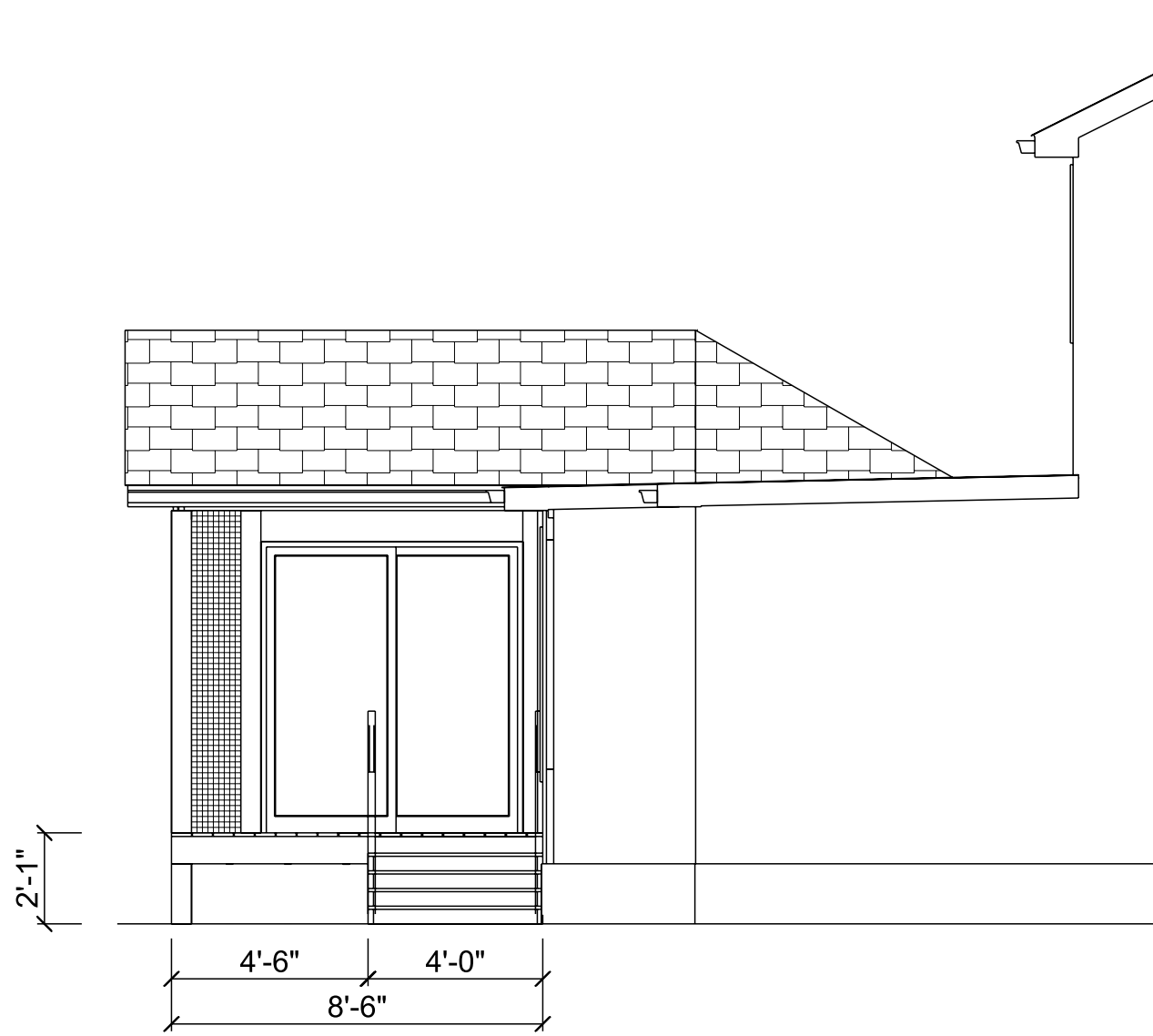
Prepared by:
 Archadeck Franchising Corporation
 2426 Old Brick Rd
 Glen Allen, VA 23060
 Construction & Drafting Department
 ©2023 Archadeck Franchising Corporation
 All rights reserved. Unauthorized
 duplication is a violation of
 all applicable laws.

PAGE 7/13

SCALE: 1/4" = 1'-0"

ISSUE
 FEBRUARY 10, 2026
 REVISION: 1
 MARCH 04, 2026

SHEET # SHEET TITLE
 LEFT ELEVATION
 S202



PROJECT NAME AND ADDRESS
 #213-SMITH-104827
 21247 MAPLEWOOD AVE.
 ROCKY RIVER, OH. 44116
 DRAWN BY: TMG EXT: #233

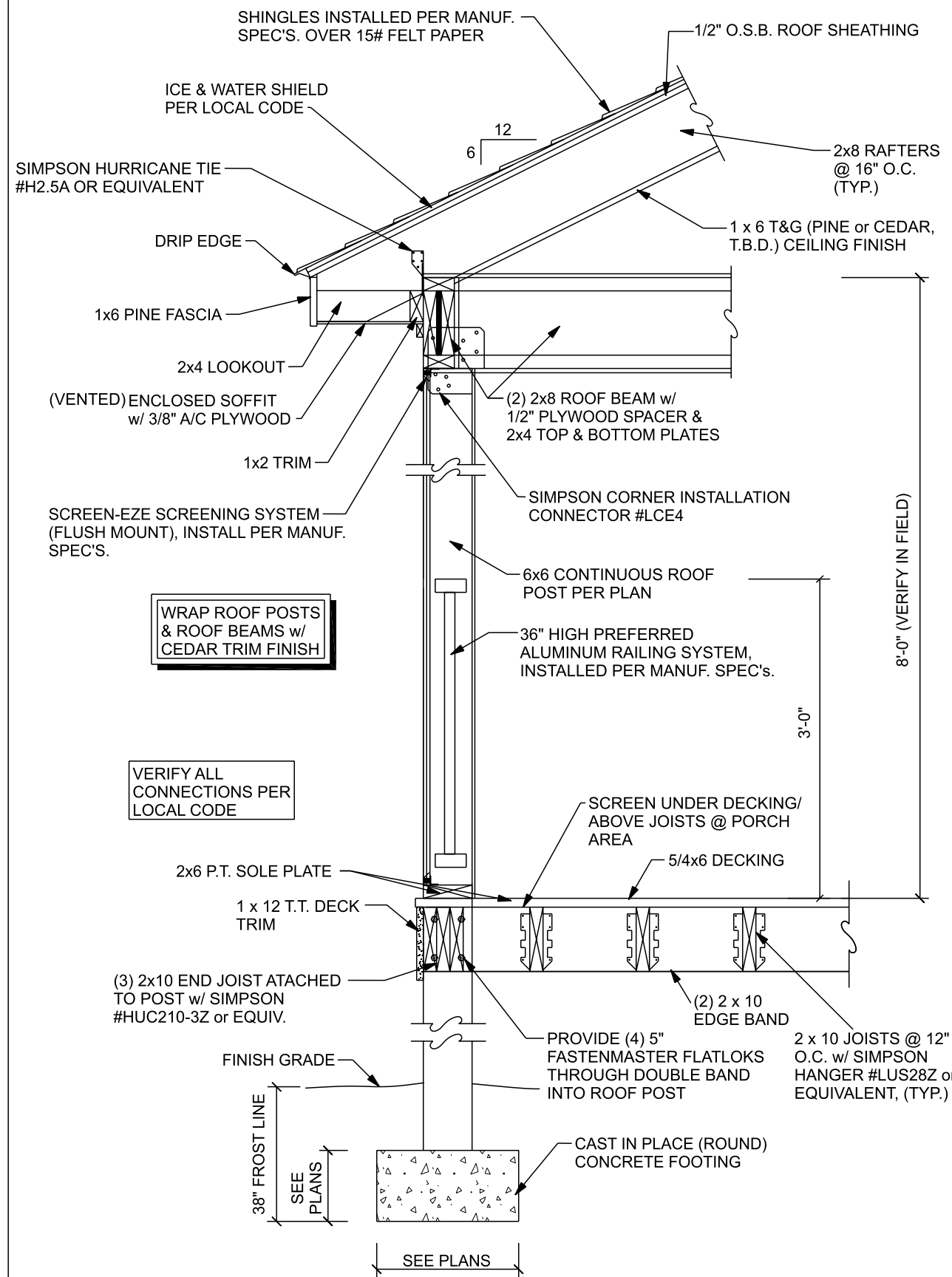
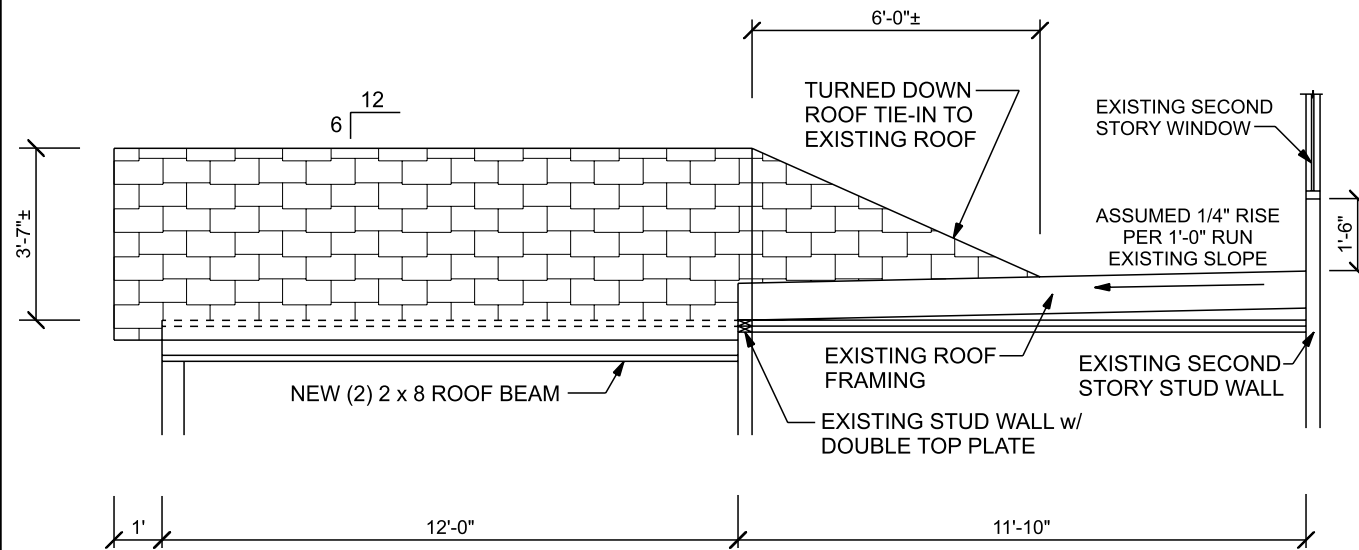
Prepared by:
 Archadeck Franchising Corporation
 2426 Old Brick Rd
 Glen Allen, VA 23060
 Construction & Drafting Department
 ©2023 Archadeck Franchising Corporation
 All rights reserved. Unauthorized
 duplication is a violation of
 all applicable laws.

PAGE 8/13

SCALE: 1/4" = 1'-0"

ISSUE
 FEBRUARY 10, 2026
 DATE
 REVISION: 1
 MARCH 04, 2026

SHEET # SHEET TITLE
 S203 RIGHT ELEVATION



1 WALL SECTION
 S301 SCALE: N.T.S.

PROJECT NAME AND ADDRESS
 #213-SMITH-104827
 21247 MAPLEWOOD AVE.
 ROCKY RIVER, OH. 44116
 DRAWN BY: TMG EXT: #233

Prepared by:
 Archadeck Franchising Corporation
 2426 Old Brick Rd
 Glen Allen, VA 23060
 Construction & Drafting Department
 ©2023 Archadeck Franchising Corporation
 All rights reserved. Unauthorized
 duplication is a violation of
 all applicable laws.

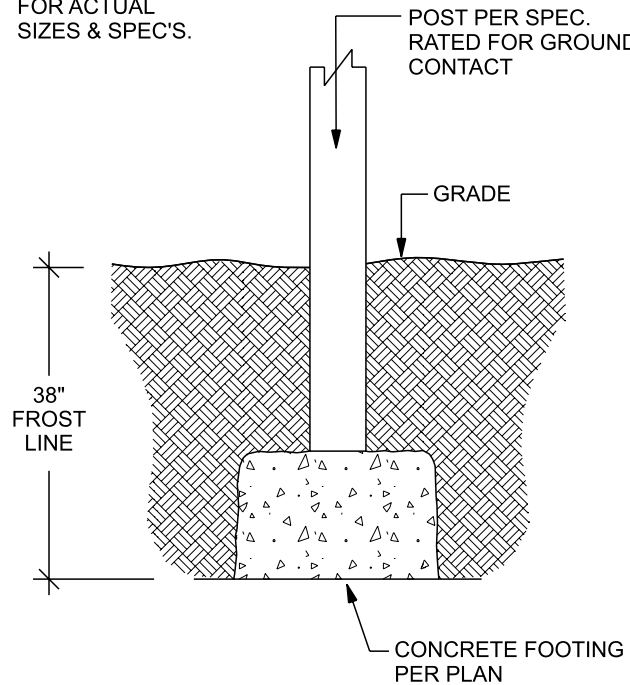
PAGE
 9/13

SCALE: NO SCALE

ISSUE
 FEBRUARY 10, 2026
 DATE
 REVISION: 1
 MARCH 04, 2026

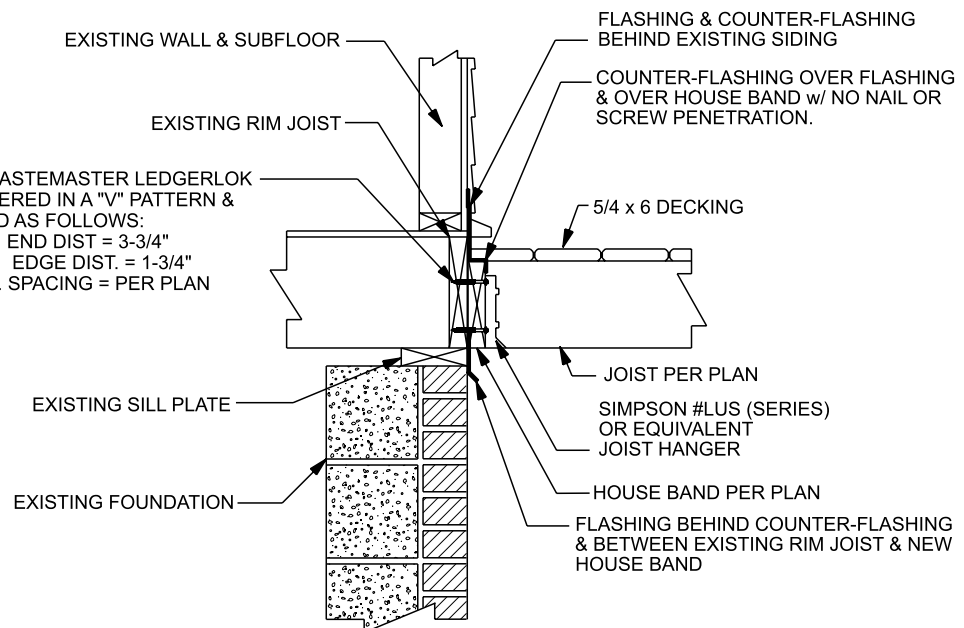
SHEET TITLE
 SECTIONS
 SHEET #
 S301

NOTE: SEE PLANS FOR ACTUAL SIZES & SPEC'S.



1 DECK COLUMN TO CAST IN PLACE CONCRETE FOOTING

S501 SCALE: 3/4" = 1'-0"



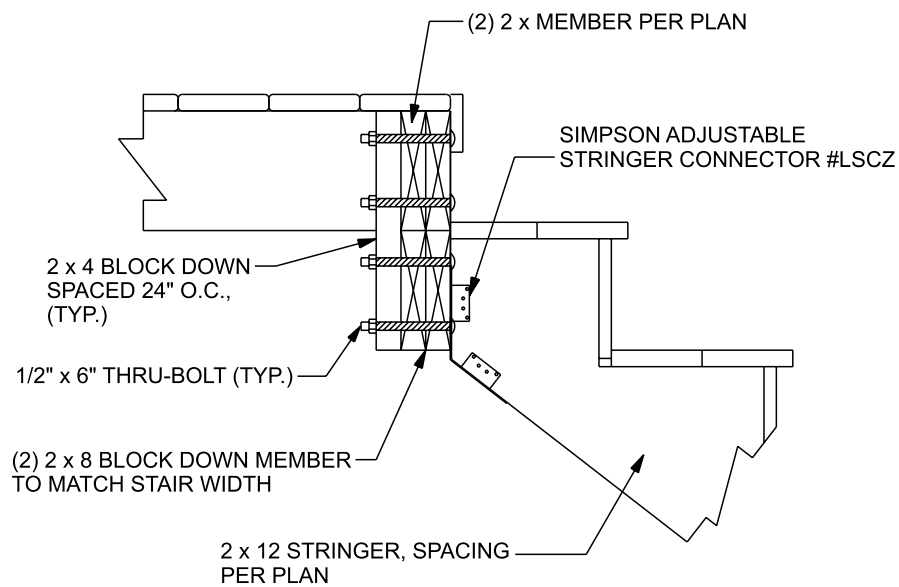
3-5/8" FASTEMASTER LEDGERLOK STAGGERED IN A "V" PATTERN & SPACED AS FOLLOWS:
 A. MIN. END DIST = 3-3/4"
 B. MIN. EDGE DIST. = 1-3/4"
 C. MIN. SPACING = PER PLAN

3-5/8" FASTEMASTER LEDGERLOK STAGGERED IN A "V" PATTERN & SPACED AS FOLLOWS:
 A. MIN. END DIST = 3-3/4"
 B. MIN. EDGE DIST. = 1-3/4"
 C. MIN. SPACING = PER PLAN

ORC 2019 R507.2.3 HOLD DOWN TENSION DEVICES SHALL BE PROVIDED IN NO LESS THAN TWO LOCATIONS PER DECK, & EACH DEVICE SHALL HAVE AN ALLOWABLE STRESS CAPACITY OF 1500lbs.

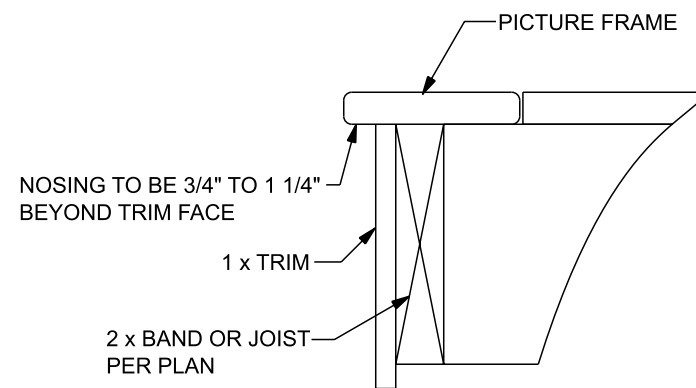
2 HOUSE BAND w/ JOIST HANGERS & LEDGERLOKS

S501 SCALE: 3/4" = 1'-0"



3 STRINGER ATTACHMENT @ DOUBLE MEMBER

S501 SCALE: 1" = 1'-0"



4 DECK TRIM w/ PICTURE FRAME

S501 SCALE: 2" = 1'-0"

PROJECT NAME AND ADDRESS

#213-SMITH-104827
 21247 MAPLEWOOD AVE.
 ROCKY RIVER, OH. 44116
 DRAWN BY: TMG EXT: #233

Prepared by:
 Archadeck Franchising Corporation
 2426 Old Brick Rd
 Glen Allen, VA 23060
 Construction & Drafting Department
 ©2023 Archadeck Franchising Corporation
 All rights reserved. Unauthorized duplication is a violation of all applicable laws.

PAGE

10/13

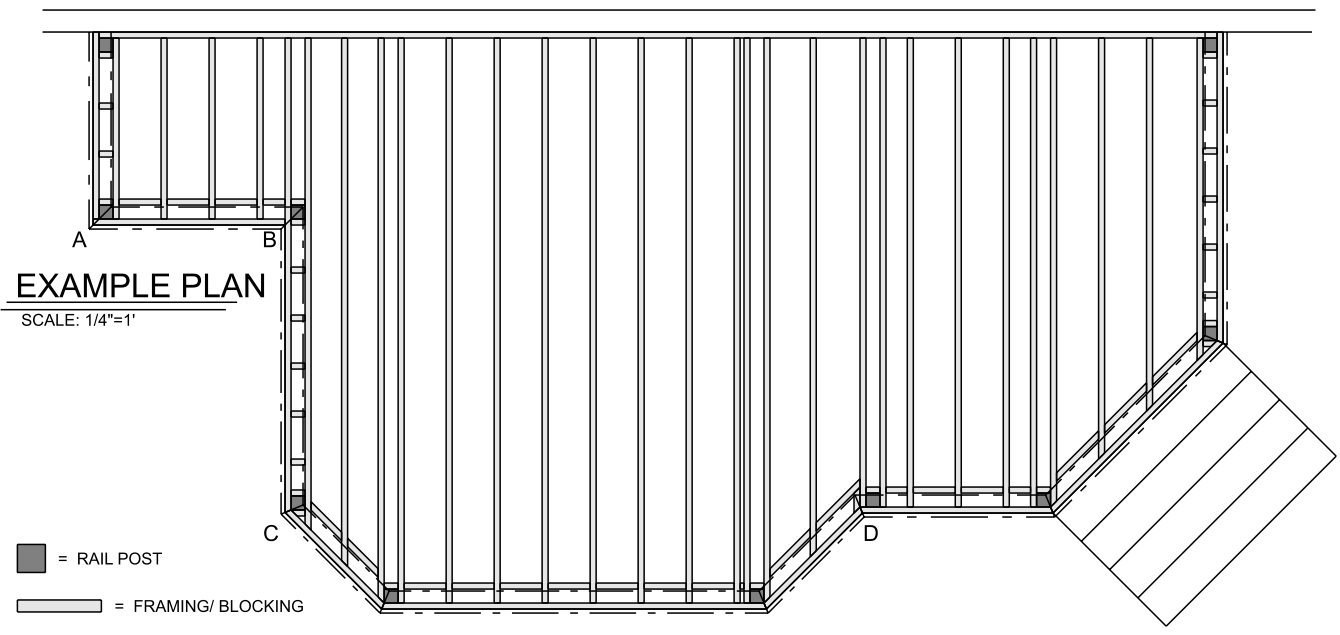
SCALE: AS NOTED

ISSUE
 FEBRUARY 10, 2026
 REVISION: 1
 MARCH 04, 2026

SHEET #

DETAILS

S501



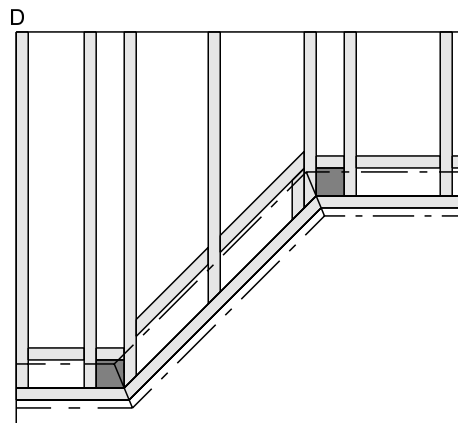
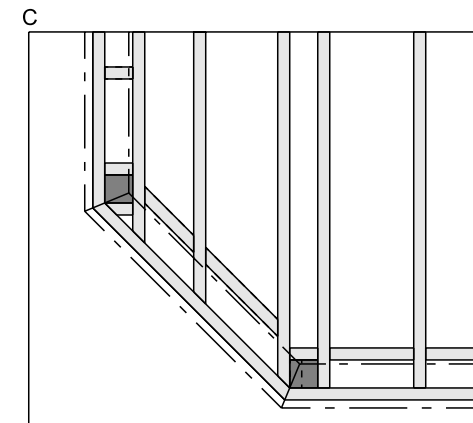
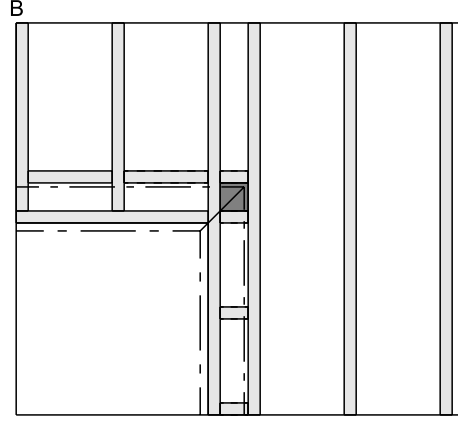
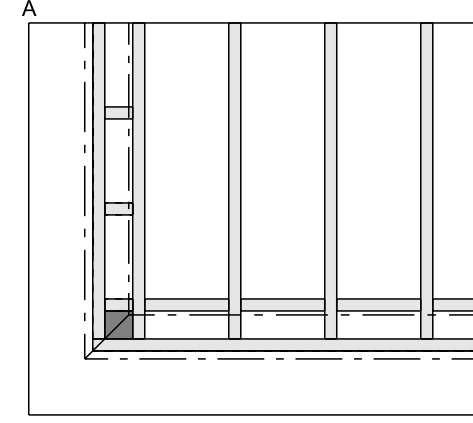
EXAMPLE PLAN

SCALE: 1/4"=1'

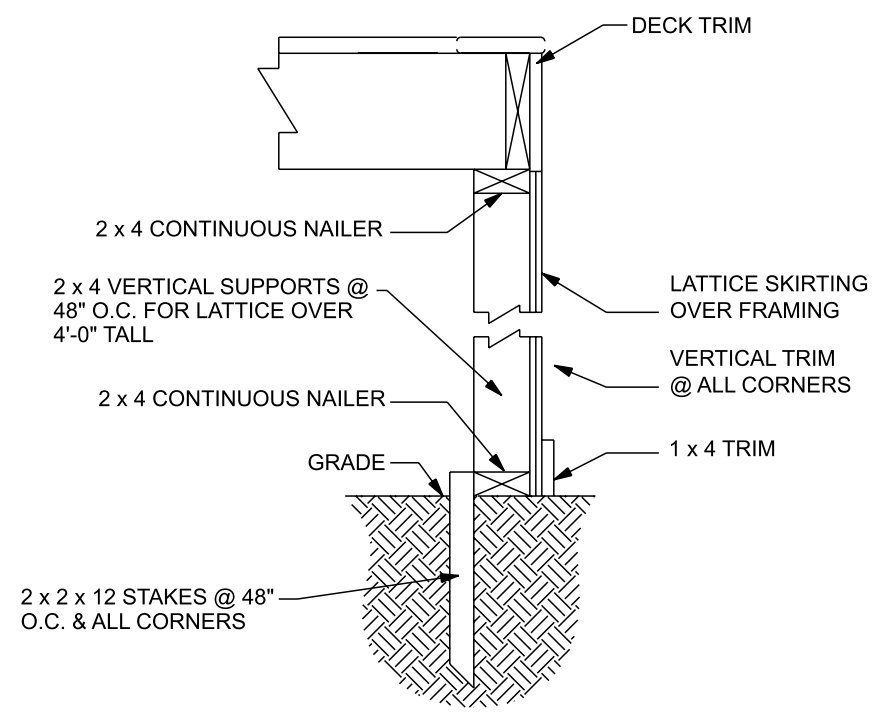
- = RAIL POST
- = FRAMING/ BLOCKING
- - - = PICTURE FRAME BOARD

DETAILS

SCALE: 1/2"=1'



1 PICTURE FRAME BLOCKING DETAIL
S502 SCALE: VARIES



LATTICE SKIRTING OVER FRAMING
SCALE 1" = 1'

2 DIAGONAL LATTICE OVER FRAMING
S502 SCALE: VARIES

PROJECT NAME AND ADDRESS
#213-SMITH-104827
21247 MAPLEWOOD AVE.
ROCKY RIVER, OH. 44116
DRAWN BY: TMG EXT: #233

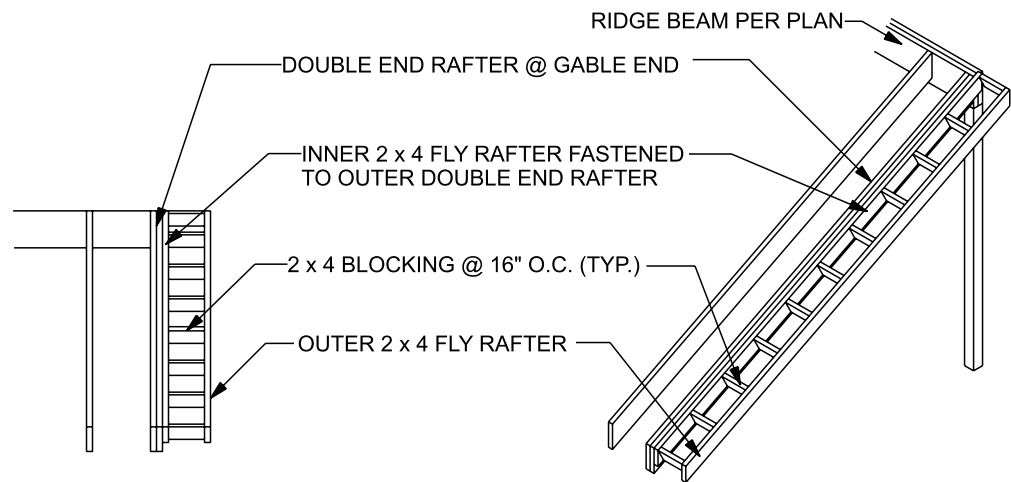
Prepared by:
Archadeck Franchising Corporation
2426 Old Brick Rd
Glen Allen, VA 23060
Construction & Drafting Department
©2023 Archadeck Franchising Corporation
All rights reserved. Unauthorized
duplication is a violation of
all applicable laws.

PAGE 11/13

SCALE: AS NOTED

ISSUE
DATE FEBRUARY 10, 2026
REVISION: 1
MARCH 04, 2026

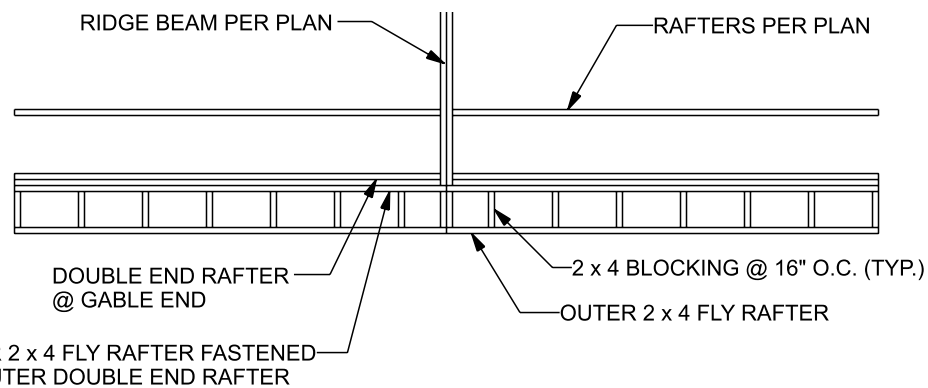
SHEET TITLE
DETAILS
SHEET #
S502



SECTION ELEVATION:
SCALE: 1/4" = 1'

ISOMETRIC

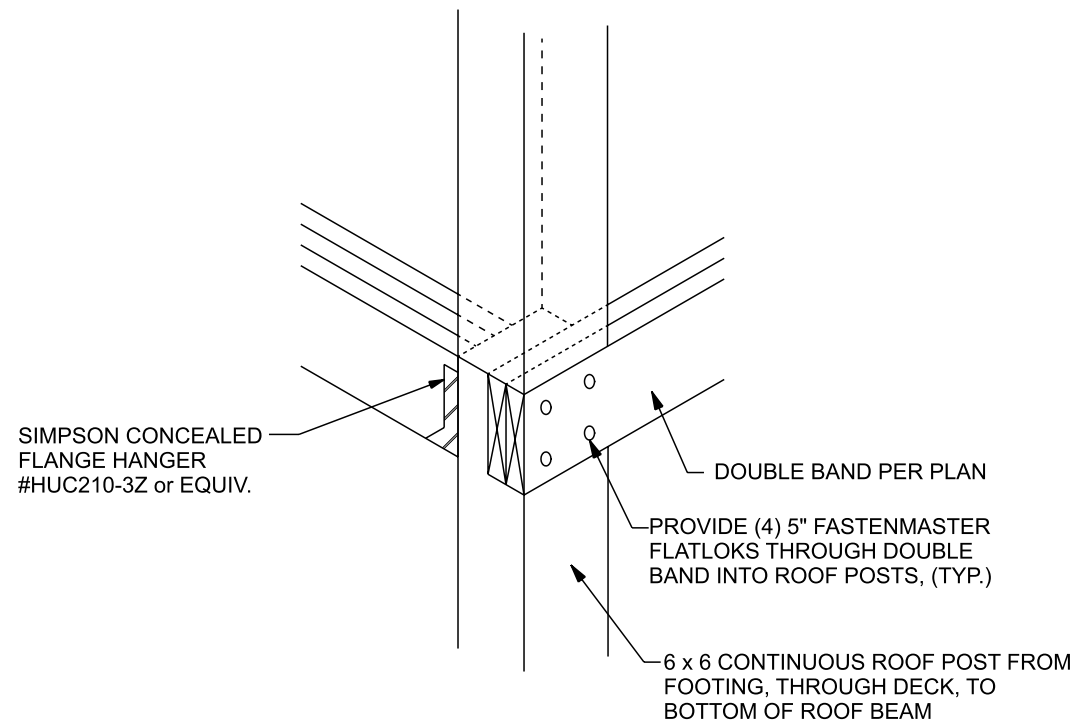
NOTE:
- CONSTRUCT FLY RAFTER THEN FASTEN TO END RAFTER



PLAN VIEW:
SCALE: 1/4" = 1'

DETAIL EXAMPLE ABOVE SHOWS 12" OVERHANG

1 FLY RAFTERS @ GABLE END w/ 6" - 20" OVERHANG
S503 SCALE: 1/4" = 1'-0"

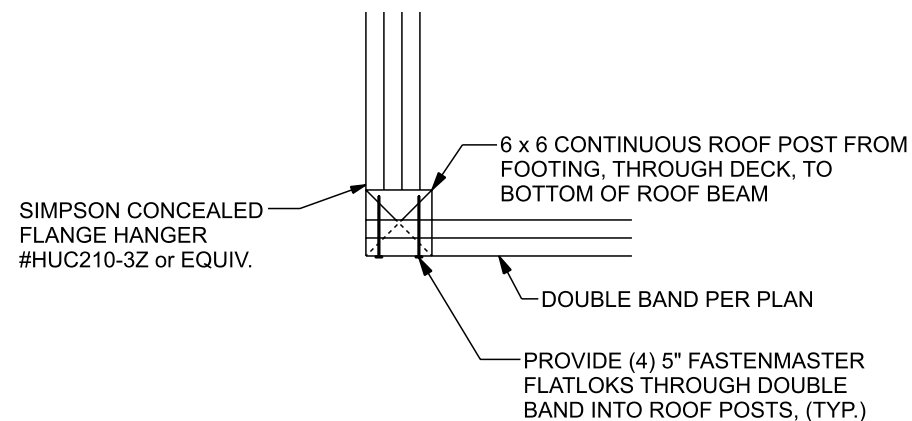


SIMPSON CONCEALED FLANGE HANGER #HUC210-3Z or EQUIV.

DOUBLE BAND PER PLAN

PROVIDE (4) 5" FASTENMASTER FLATLOKS THROUGH DOUBLE BAND INTO ROOF POSTS, (TYP.)

6 x 6 CONTINUOUS ROOF POST FROM FOOTING, THROUGH DECK, TO BOTTOM OF ROOF BEAM



SIMPSON CONCEALED FLANGE HANGER #HUC210-3Z or EQUIV.

6 x 6 CONTINUOUS ROOF POST FROM FOOTING, THROUGH DECK, TO BOTTOM OF ROOF BEAM

DOUBLE BAND PER PLAN

PROVIDE (4) 5" FASTENMASTER FLATLOKS THROUGH DOUBLE BAND INTO ROOF POSTS, (TYP.)

2 TRIPLE JOIST TO DOUBLE BAND ATTACHMENT
S503 SCALE: 3/4" = 1'-0"

PROJECT NAME AND ADDRESS

#213-SMITH-104827
21247 MAPLEWOOD AVE.
ROCKY RIVER, OH. 44116
DRAWN BY: TMG EXT: #233

Prepared by:
Archadeck Franchising Corporation
2426 Old Brick Rd
Glen Allen, VA 23060
Construction & Drafting Department
©2023 Archadeck Franchising Corporation
All rights reserved. Unauthorized duplication is a violation of all applicable laws.

PAGE

12/13

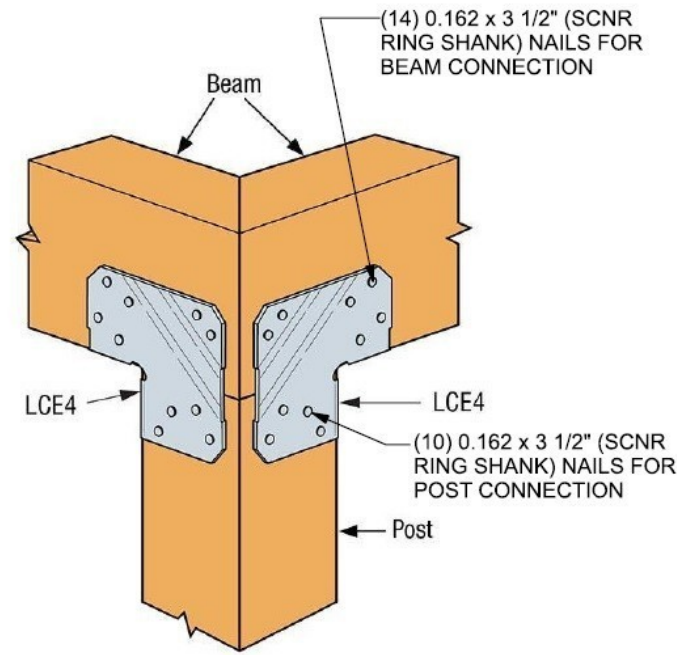
SCALE: AS NOTED

ISSUE
FEBRUARY 10, 2026
DATE
REVISION: 1
MARCH 04, 2026

SHEET #

DETAILS

S503

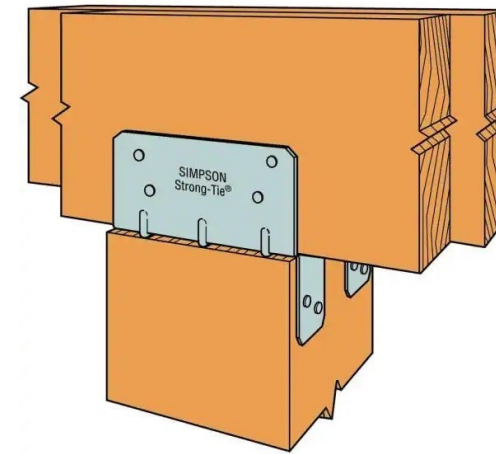


SIMPSON Strong-Tie®
LCE4 Corner Installation

Model No.	Dimensions (in.)		Total No. of Fasteners (in.)		DF/SP Uplift Loads (160)			SPF Uplift Loads (160)		
	W	L	Beam	Post	Side Beam	Main Beam	Post	Side Beam	Main Beam	Post
SS LCE4Z1 (Mitered corner)	5%	5%	(14) 0.162 x 3 1/2	(10) 0.162 x 3 1/2	—	—	885	—	—	760

- The allowable download for the mitered LCE4Z connection is limited to the bearing of the mitered beams on the post and shall be determined by the designer.
- The combined uplift loads applied to all the beams must not exceed the post allowable uplift load listed in the table.
- Connectors must be installed in pairs to achieve listed loads.
- Fasteners: Nail dimensions in the table are listed diameter by length. For additional information, see [Fastener Types and Sizes Specified for Simpson Strong-Tie Connectors](#).

1 SIMPSON CONNECTOR #LCE4Z
S504 NO SCALE



These products are available with [additional corrosion protection](#).

SD Many of these products are approved for installation with [Strong-Drive® SD Connector screws](#).

Model No.	Dimensions (in.)		Min. / Max.	Total No. Fasteners (in.)		Allowable Loads (DF/SP) (160)	
	W	L		Beam	Post	Uplift	Lateral
LPC4Z	3 9/16	3 1/2	—	(8) 0.148 x 3	(8) 0.148 x 3	755	760
LPC6Z	5 9/16	5 1/2	—	(8) 0.148 x 3	(8) 0.148 x 3	920	885

- Allowable loads have been increased for wind or earthquake loading with no further increase allowed. Reduce where other loads govern.
- Connector table loads and fastener quantities are listed for two parts.
- LPCZ lateral load is in the direction parallel to the beam.
- Uplift loads do not apply to spliced conditions. Spliced conditions must be detailed by the designer to transfer tension loads between spliced members by means other than the post cap.
- Structural composite lumber columns have sides that show either the wide face or the edges of the lumber strands/veneers known as the narrow face. Values in the tables reflect installation into the wide face. See technical bulletin [T-C-SCLCLM](#) for load reductions resulting from narrow-face installations.
- Fasteners: Nail dimensions in the table are listed diameter by length. For additional information, see [Fastener Types and Sizes Specified for Simpson Strong-Tie Connectors](#).

2 SIMPSON CONNECTOR #LPC6Z
S504 NO SCALE

PROJECT NAME AND ADDRESS
#213-SMITH-104827
21247 MAPLEWOOD AVE.
ROCKY RIVER, OH. 44116
DRAWN BY: TMG EXT: #233

Prepared by:
Archadeck Franchising Corporation
2426 Old Brick Rd
Glen Allen, VA 23060
Construction & Drafting Department
©2023 Archadeck Franchising Corporation
All rights reserved. Unauthorized
duplication is a violation of
all applicable laws.

PAGE 13/13

SCALE: AS NOTED

ISSUE
FEBRUARY 10, 2026
DATE
REVISION: 1
MARCH 04, 2026

SHEET TITLE
DETAILS

SHEET #
S504