

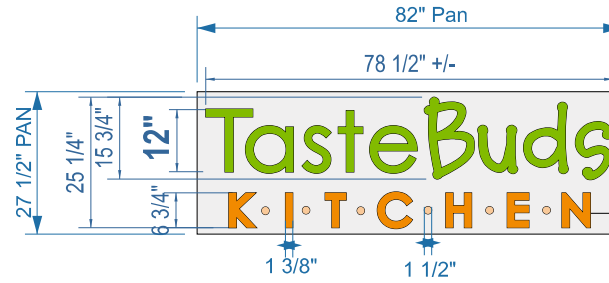
Channel Letters on PAN

SURVEY REQUIRED OPTION 2



Proposed

Existing

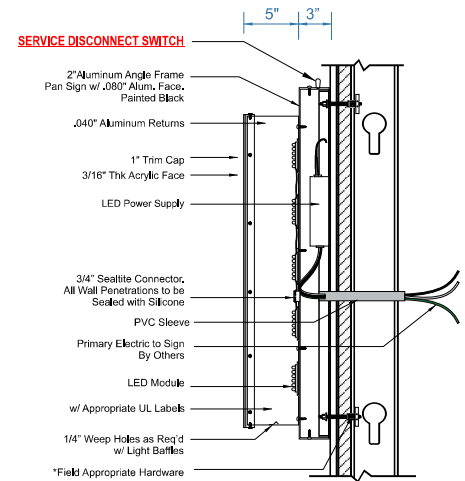


25.25 X 78.5/144 = 13.75 SQFT

Elevation
Scale: 1/2" = 1'-0"

- Aluminum Pan Painted to Match Facade (TBD)
- Face Lit Channel Letters
- Face Lit Channel Letters

Taste: PMS 360C Faces, Black Returns, 3555 Spring Green Trim
 Buds: PMS 367C Faces, Black Returns, 3555 Spring Green Trim
 Kitchen & Dots: White Face - Reverse Cut Orange Vinyl (PMS144C)



2.1 Elevation: Typ. Channel Letter w/ Pan Sign
 Scale: NTS

*NOTE: IF WOOD IS PRESENT 3/8" LAG BOLTS WITH 5/8" MINIMAL EMBEDMENT MAY BE USED.



1601 Jacksonville Rd., Suite F Burlington NJ 08016
 888.588.9057 • EffectiveSignWorks.com

Drawing Number: **251192-01**
 Start Date: 10/16/2025

Site: PY
 Designer: GB

Client: **Taste Buds Kitchen
 Rocky River, OH - Exterior**

Site Address: **21844 Center Ridge Rd, River Plaza | Rocky River, OH 44116**
 File Name: 251192-01 Taste Buds Kitchen - Rocky River OH - Exterior

Revisions:

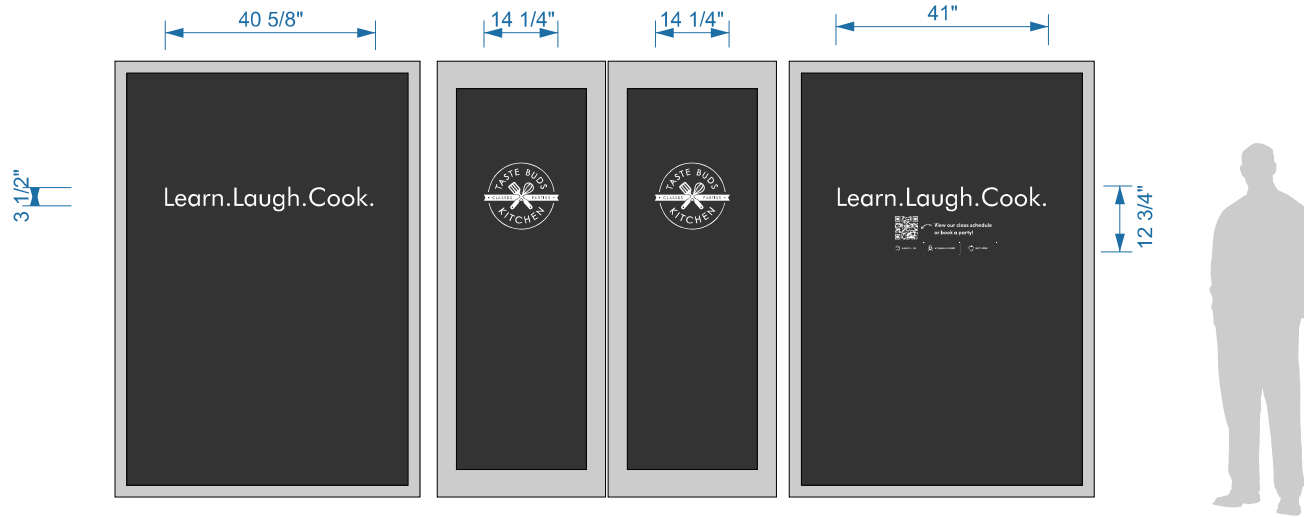
V:\Taste Buds Kitchen\Rocky River OH\Drawings

I have carefully reviewed this proof for accuracy including spelling, and authorize production in accordance with this document.



DATE: _____

Door Graphics



3.0 Elevation:
Scale: 1/2" = 1'-0"



View our class schedule
or book a party!



CONFIRM QR CODE