

# Drew & Shannon Moulden Project Plans

18951 East Shoreland Avenue  
Rocky River, OH 44116



DRAWN BY: Quinn Miller

DATE: Monday, March 9, 2026

QUINN@HIGHPOINTEEXTERIORS.COM

PH: 330-473-0877

**Kauffman  
Lawn  
Furniture**



4540 US 62  
Millersburg, OH 44654

BRYAN@KAUFFMANLAWNFURNITURE.COM

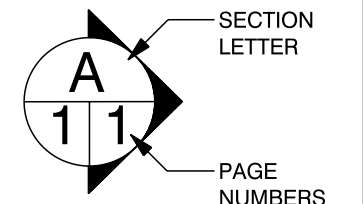
PH: 330-401-6303

**Drew & Shannon Moulden**

18951 East Shoreland Ave  
Rocky River  
Ohio  
44116

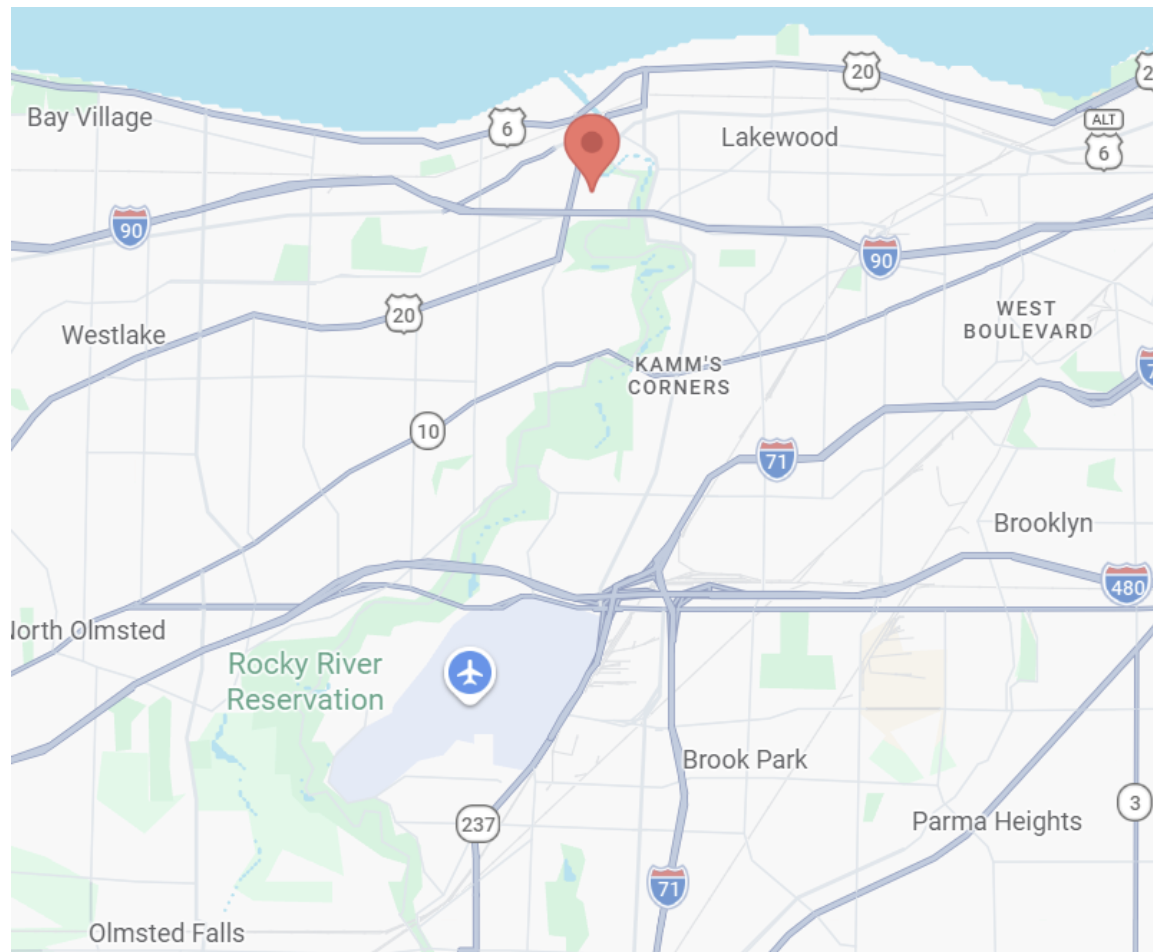
PAGE: 1 / 7

Cover Page



## Vicinity Map

## General Notes



All reference in this section are according to the Ohio Residential Building Code. All areas of the building are to meet or exceed the standards required therein.

Soil bearing design based on 1,500 psf at footing depth. Contractor and owner are responsible for verifying that the above soil conditions exists at the foundation locations. Soil testing is recommended for any areas that have been mined or disturbed previously.

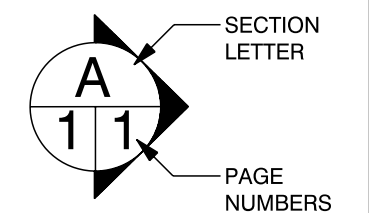
Concrete strength for footers shall be a minimum of 3,000 psf at 28 days. Concrete for exterior slabs shall be a minimum of 4,000 psf at 28 days with 6% air entrainment.

The structure is designed to be self-supporting and stable after completion. It is the contractors responsibility to determine erection procedures and sequence, and to ensure the safety of the building and it's components.

An approved set of construction documents shall be kept at the site of the work. And shall be available for reference by the building official at all times during working hours while such work is in progress.



Site Plan



**DRAWN BY:** Quinn Miller

**DATE:** Monday, March 9, 2026

QUINN@HIGHPOINTEEXTERIORS.COM

**PH:** 330-473-0877

**Kauffman  
Lawn  
Furniture**



4540 US 62  
Millersburg, OH 44654

BRYAN@KAUFFMANLAWNFURNITURE.COM

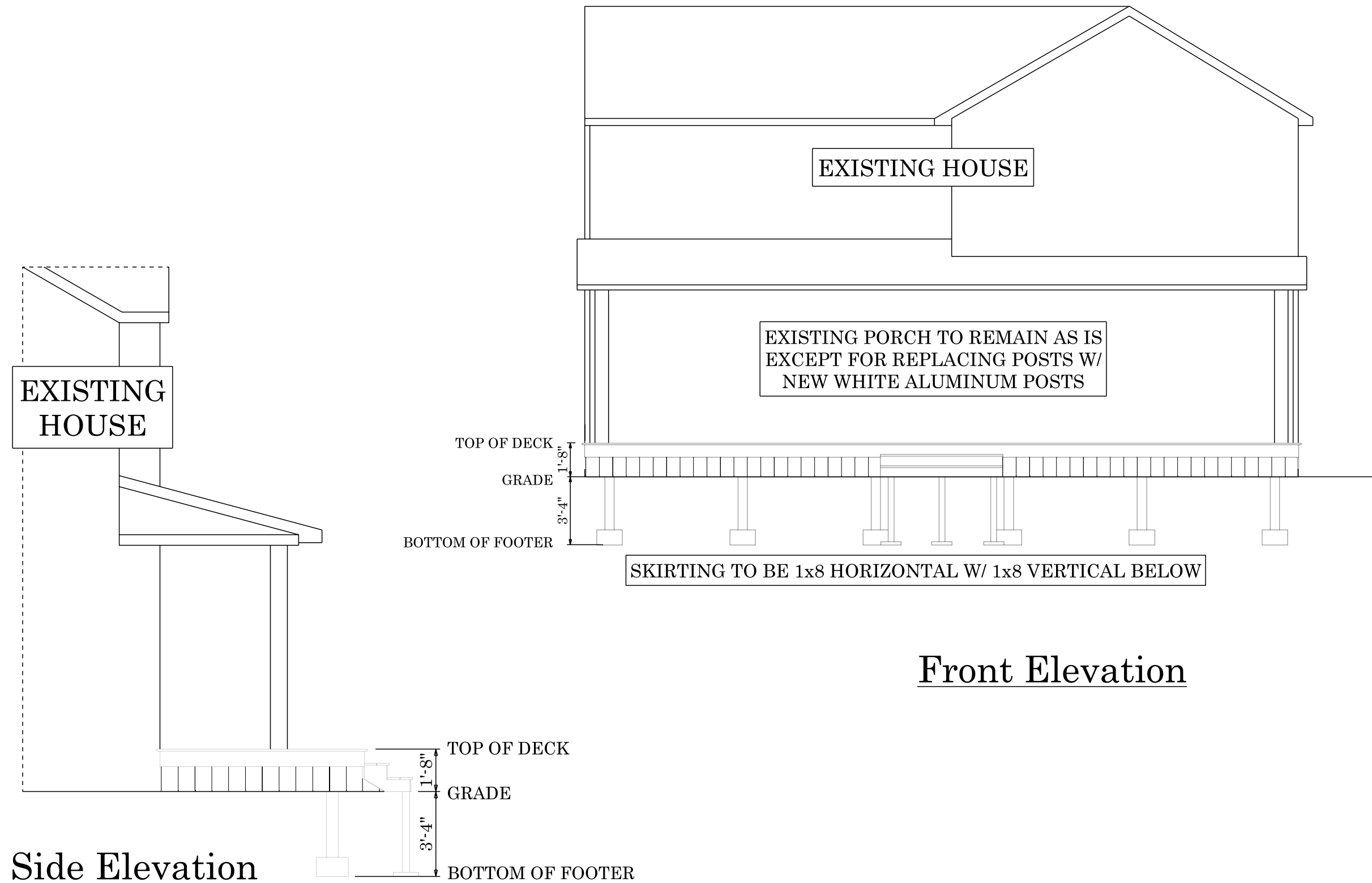
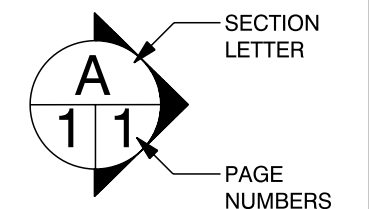
**PH:** 330-401-6303

**Drew & Shannon Moulden**

18951 East Shoreland Ave  
Rocky River  
Ohio  
44116

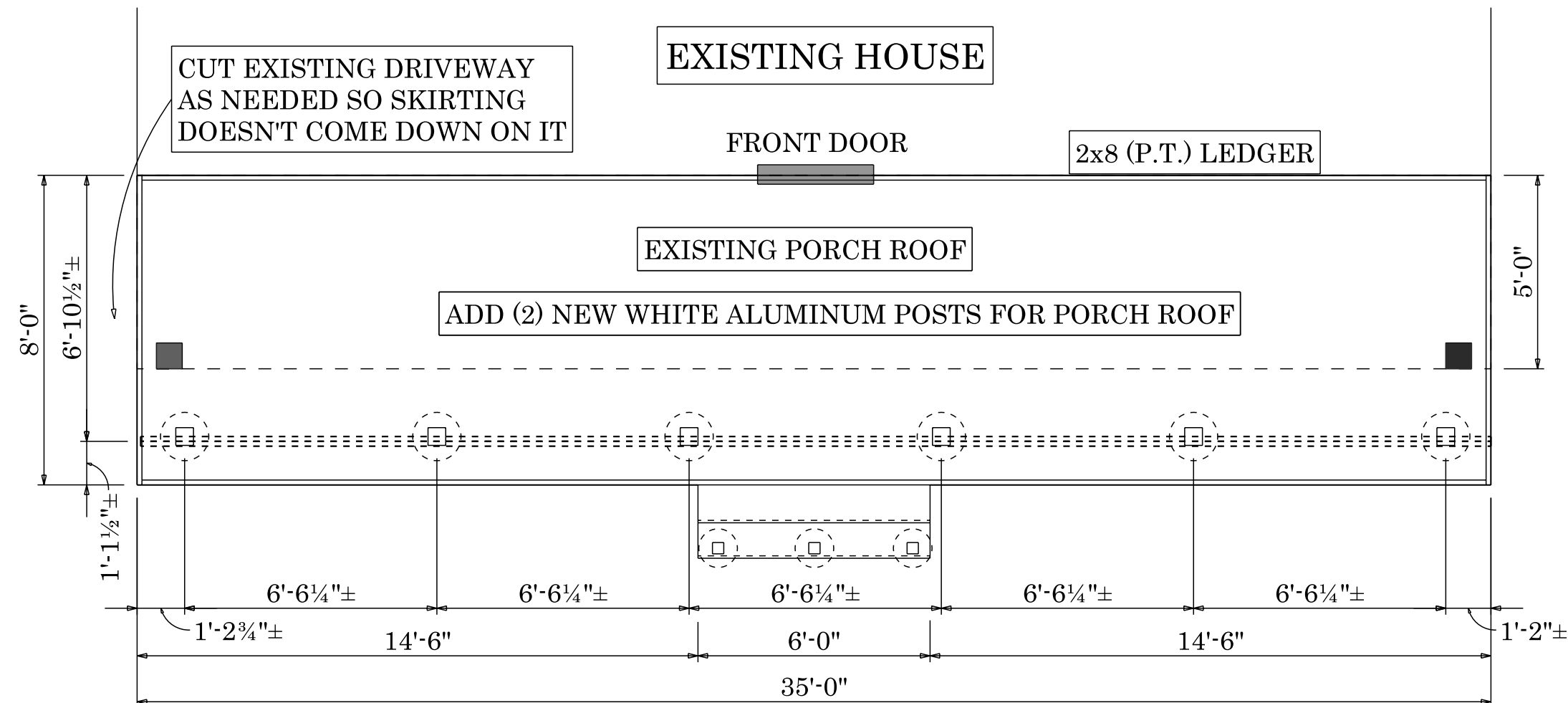
**PAGE:** 3 / 7

Elevations

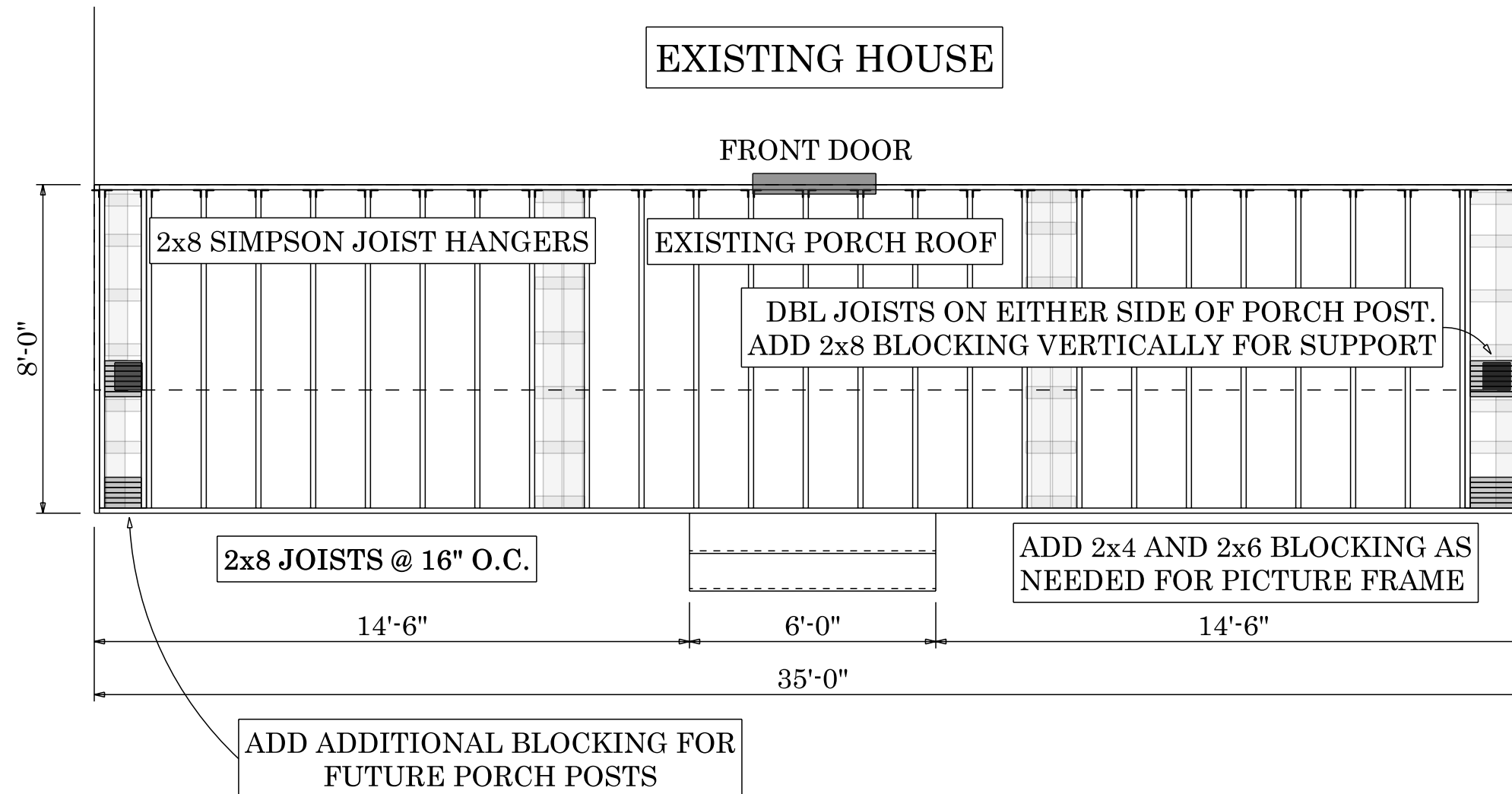


Front Elevation

Side Elevation



# Post & Beam Layout



Joist Layout

**Kauffman  
Lawn  
Furniture**



4540 US 62  
Millersburg, OH 44654

BRYAN@KAUFFMANLAWNFURNITURE.COM

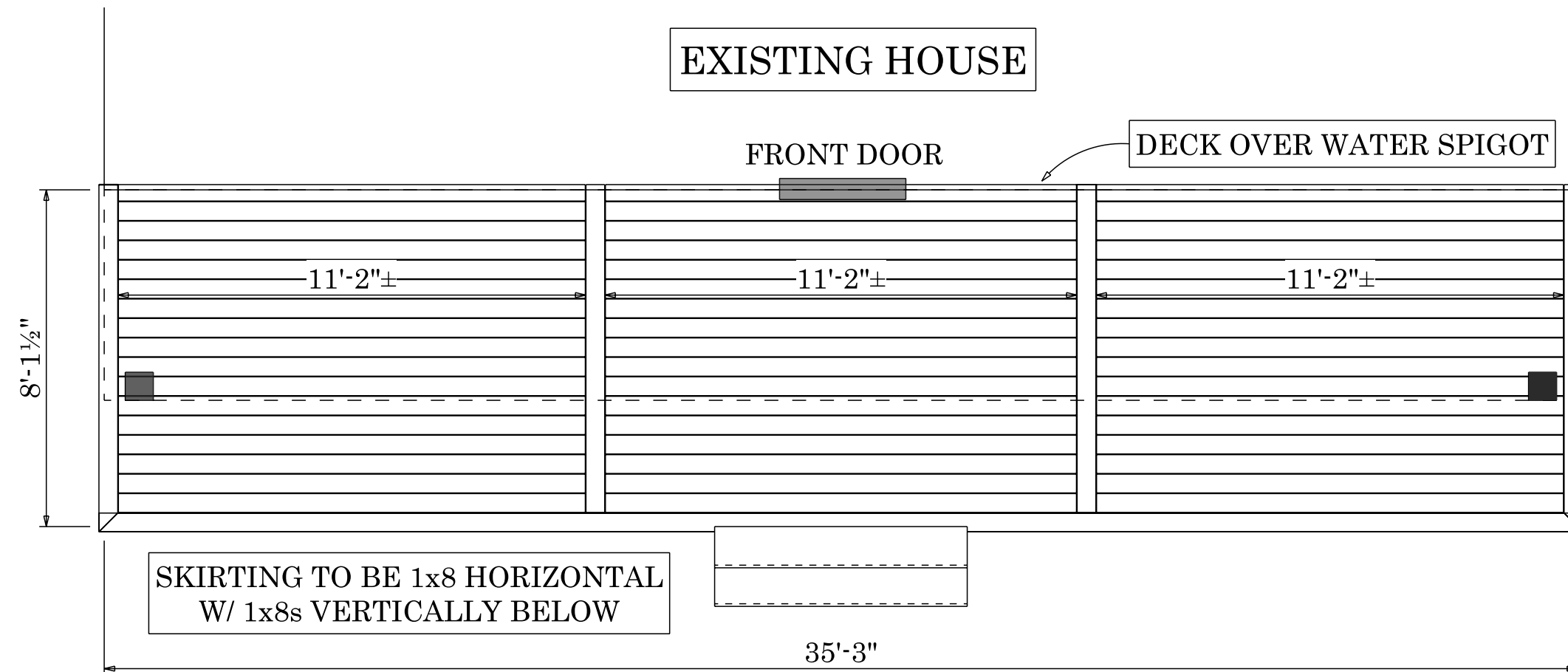
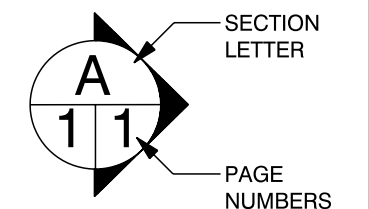
PH: 330-401-6303

**Drew & Shannon Moulden**

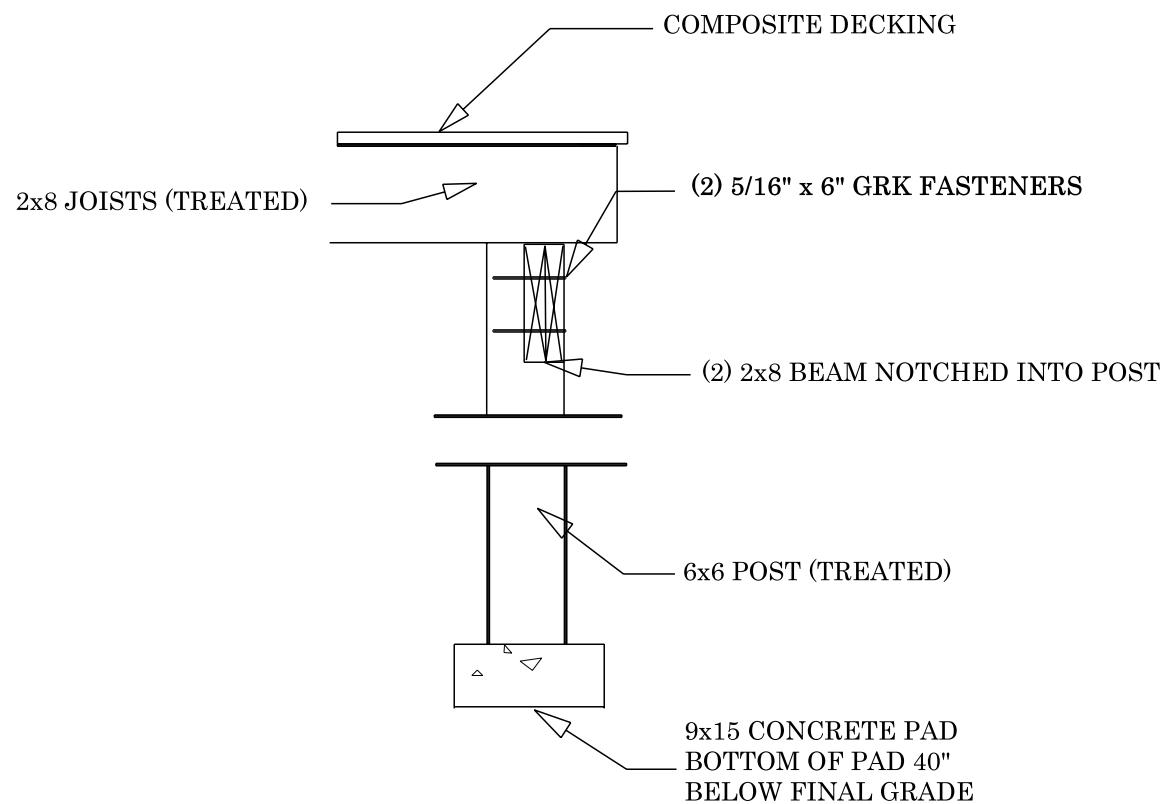
18951 East Shoreland Ave  
Rocky River  
Ohio  
44116

PAGE: 6 / 7

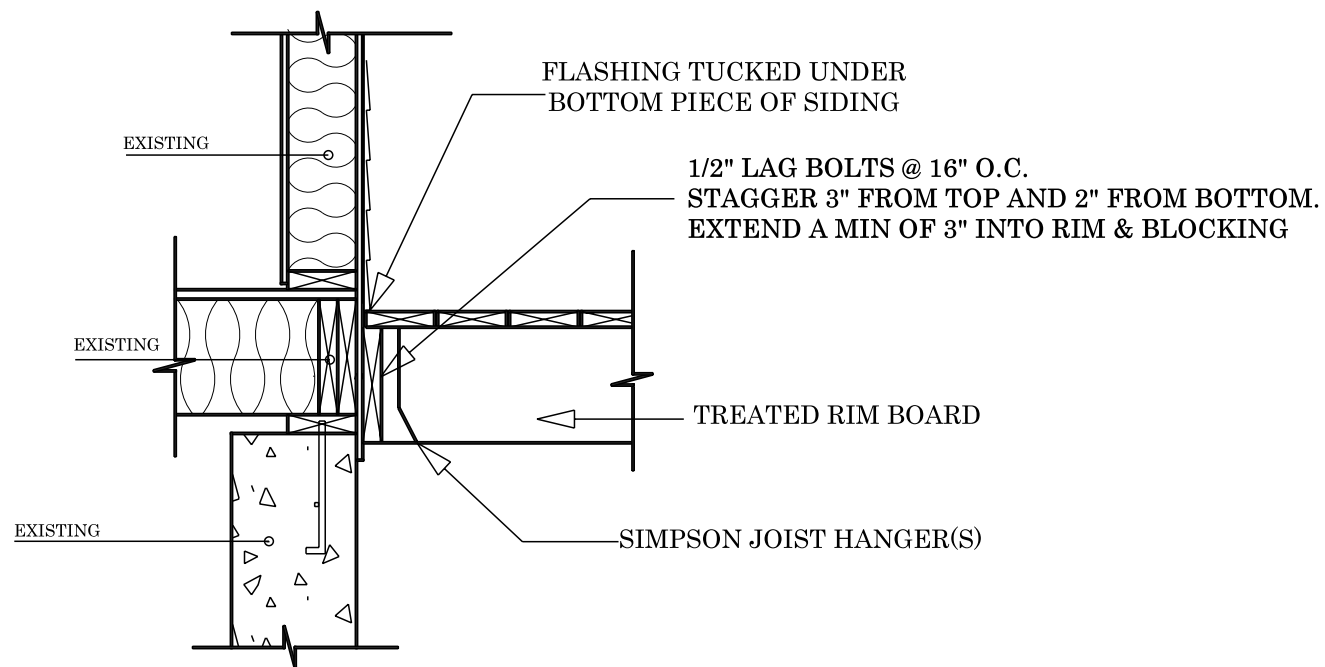
Decking Layout



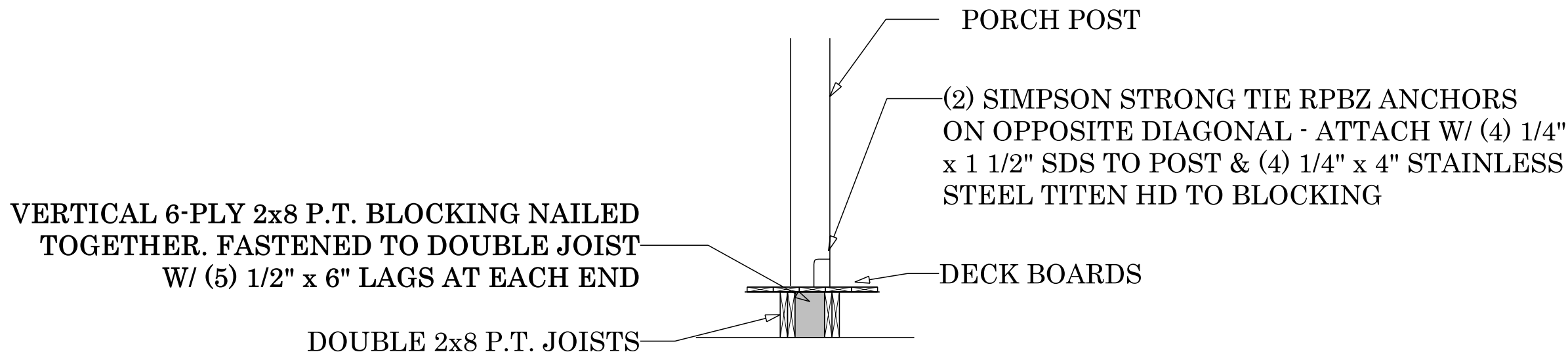
## Decking Layout



TYP Deck Detail



TYP Ledger Detail



Porch Post Blocking

