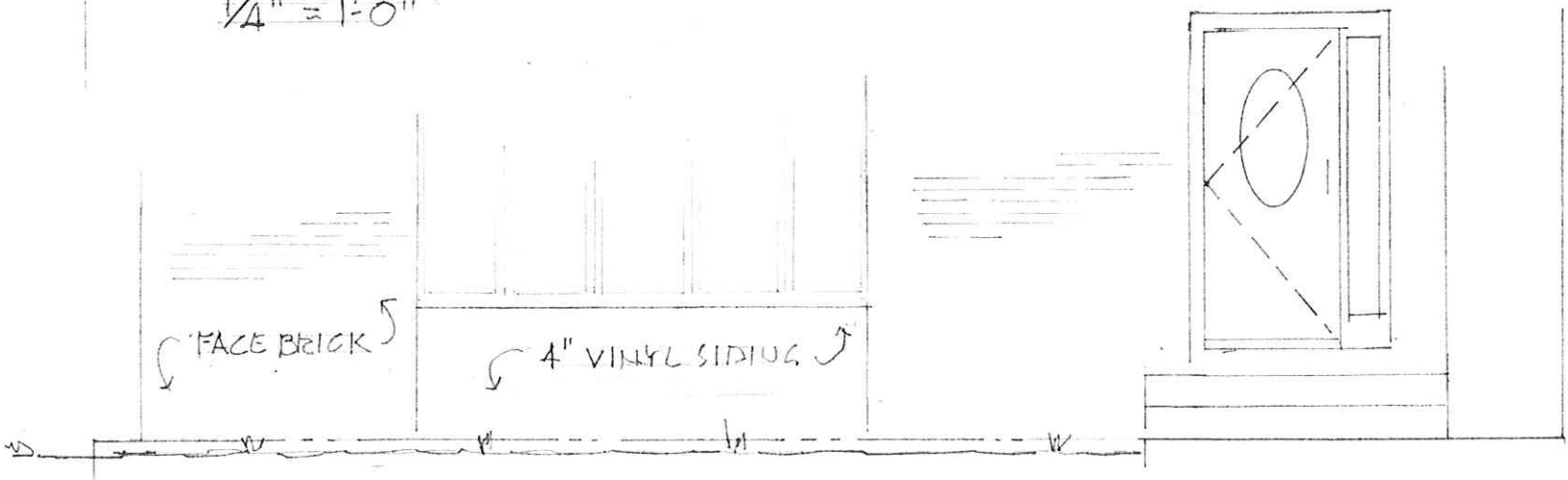


EXISTING PLAN VIEW

$\frac{1}{4}'' = 1'-0''$



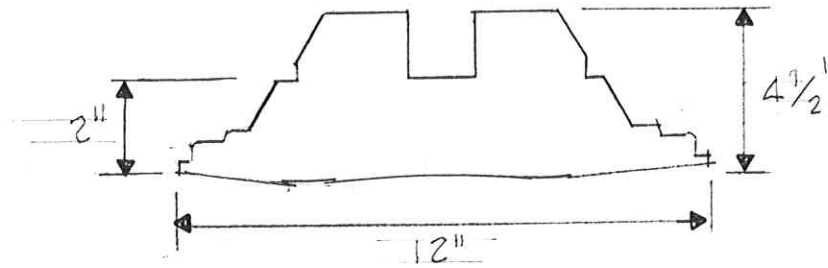
EXISTING FRONT VIEW

$\frac{1}{4}'' = 1'-0''$

SEE PHOTOS

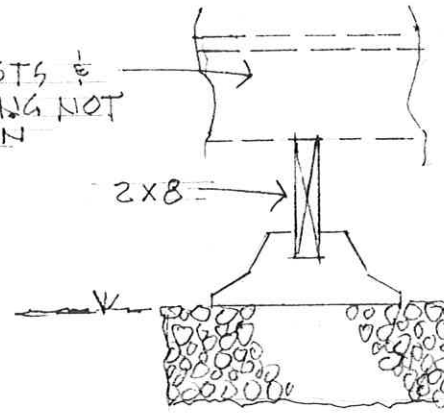
# NOTE

ALL LUMBER  
PRESSURE TREATED



TUFFBLOCK

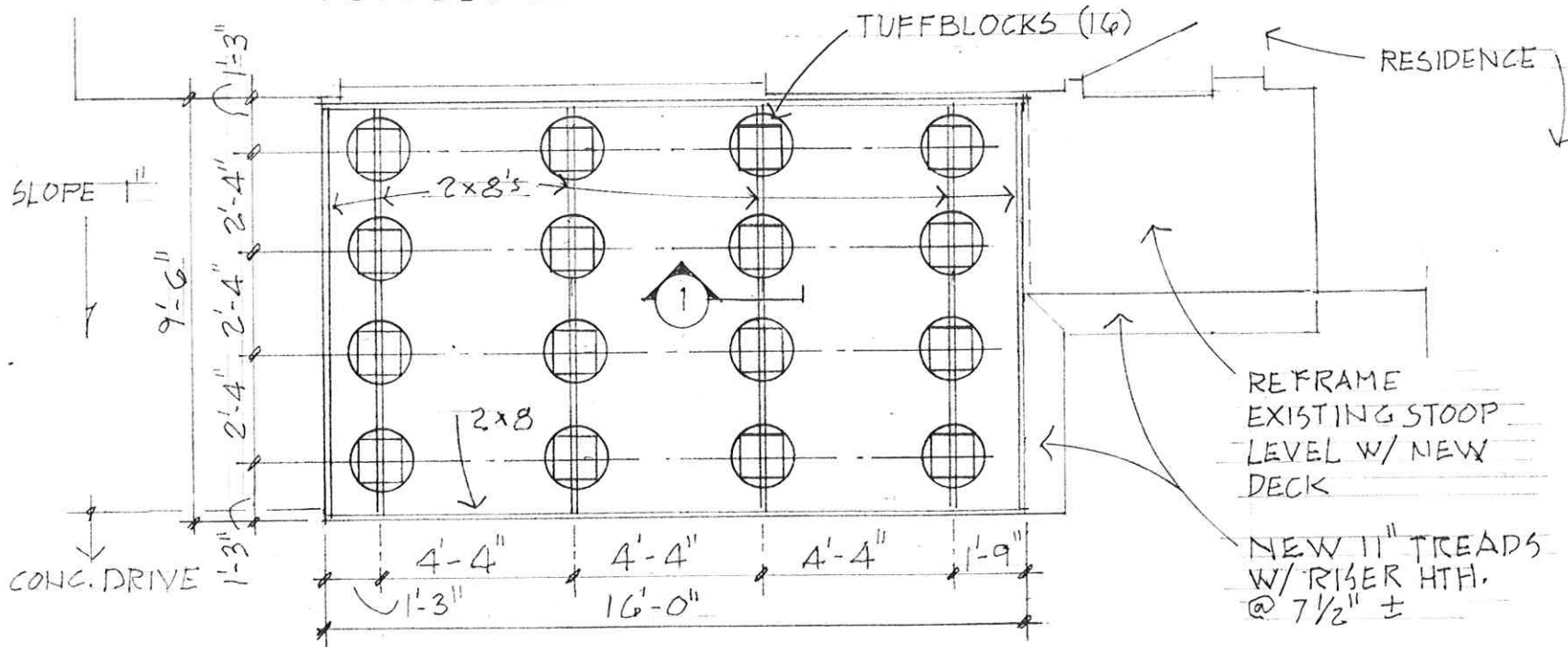
6" JOISTS &  
DECKING NOT  
SHOWN



DETAIL 1

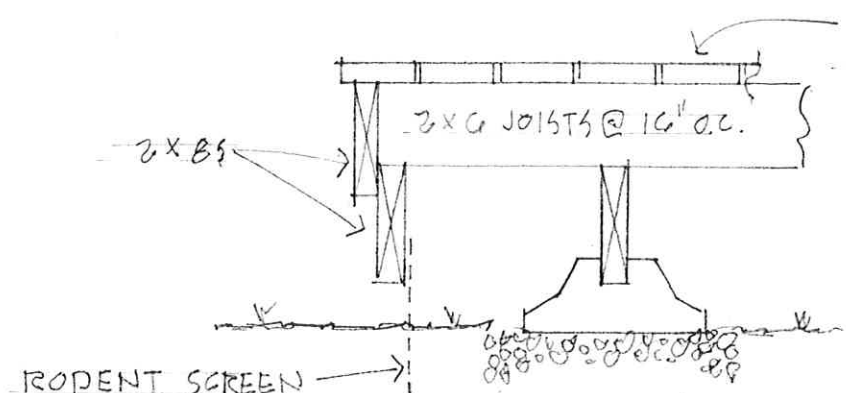
1" = 1'-0"

DIG DOWN TO  
UNDISTURBED GROUND  
& REMOVE ALL  
DELETERIOUS  
MATERIALS. COMPACT  
W/ MIN. 10 LB. TAMPER.  
FILL AREA W/ CRUSHED  
STONE & COMPACT IN  
MAX. 6" LIFTS UNTIL  
PROPER ELEVATION  
IS ESTABLISHED.

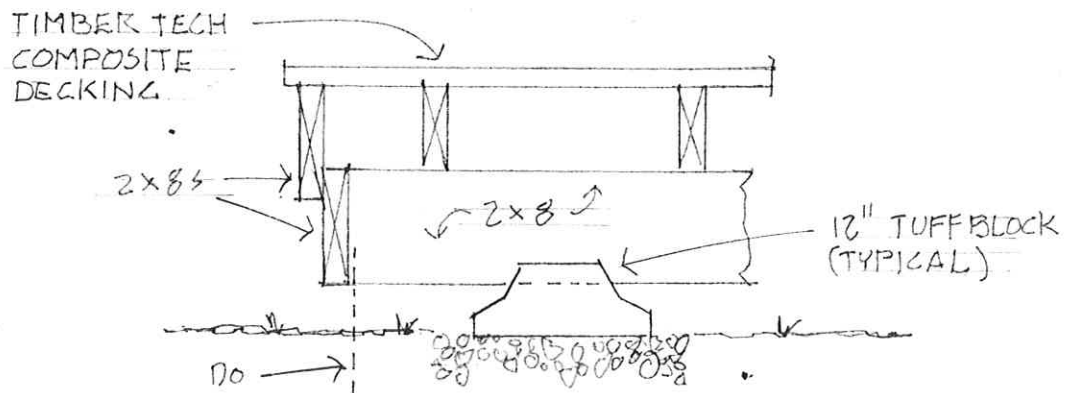


FRONT DECK FOUNDATION PLAN

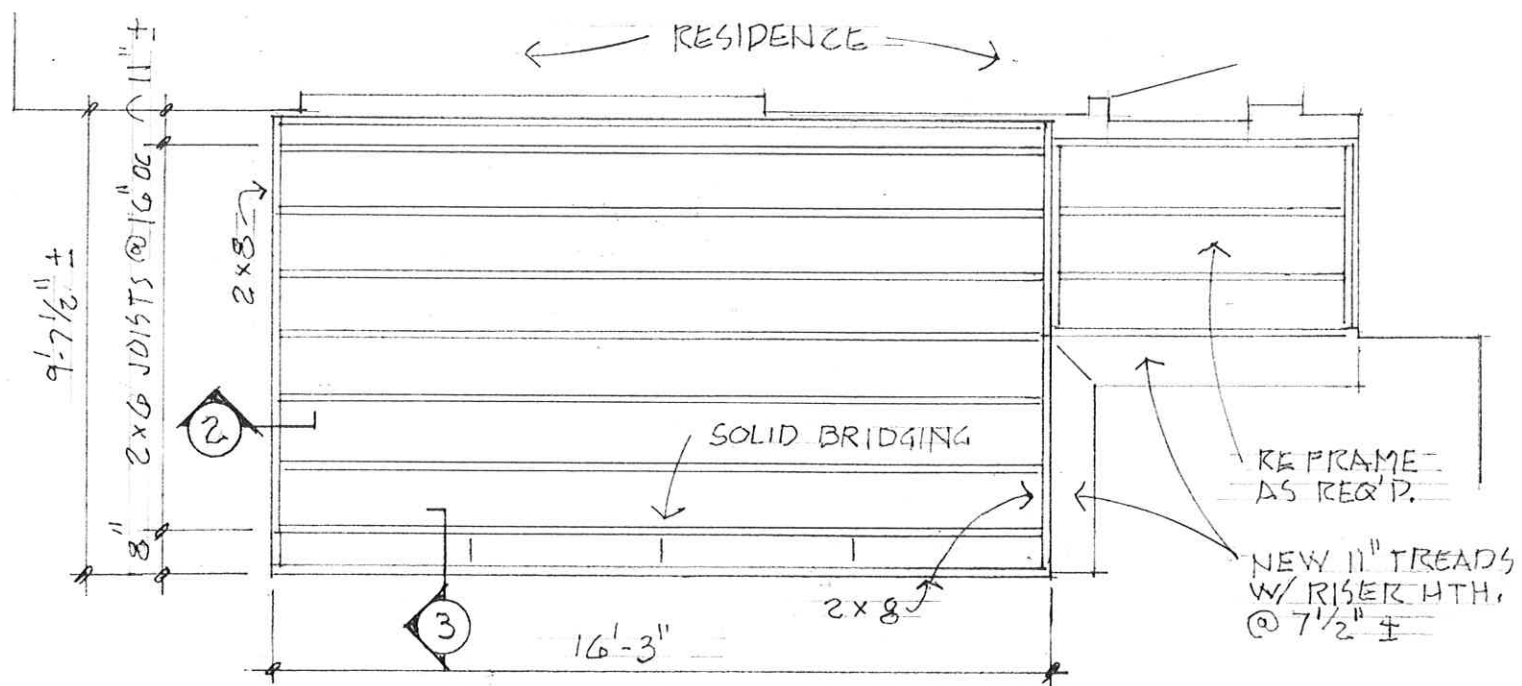
1/4" = 1'-0"



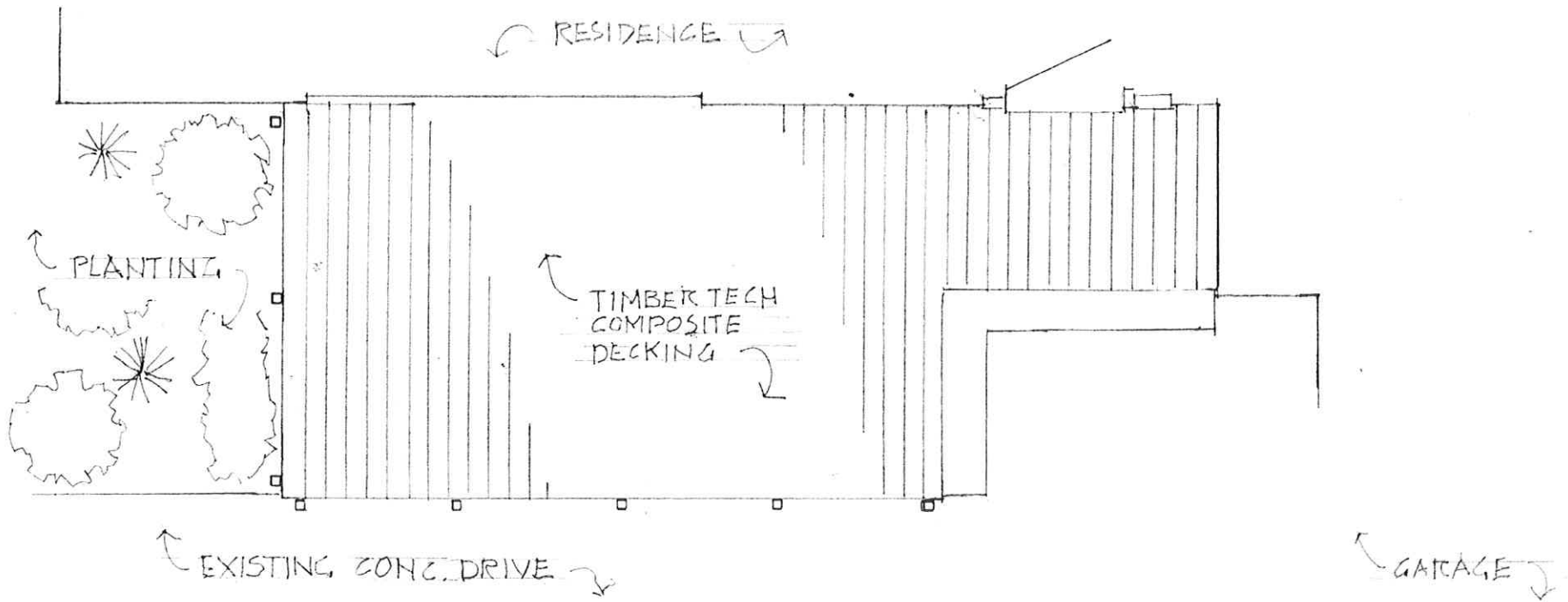
**DETAIL 2**  
1" = 1'-0"



**DETAIL 3**  
1" = 1'-0"

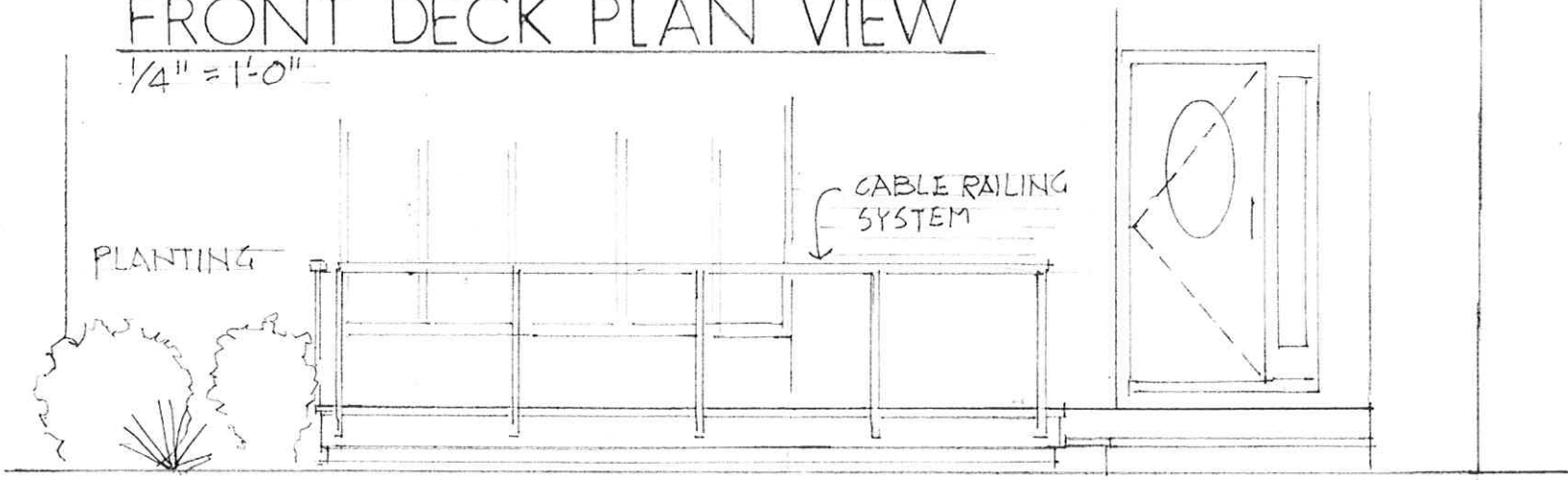


**FRONT DECK JOISTS FRAMING PLAN**  
1/4" = 1'-0"



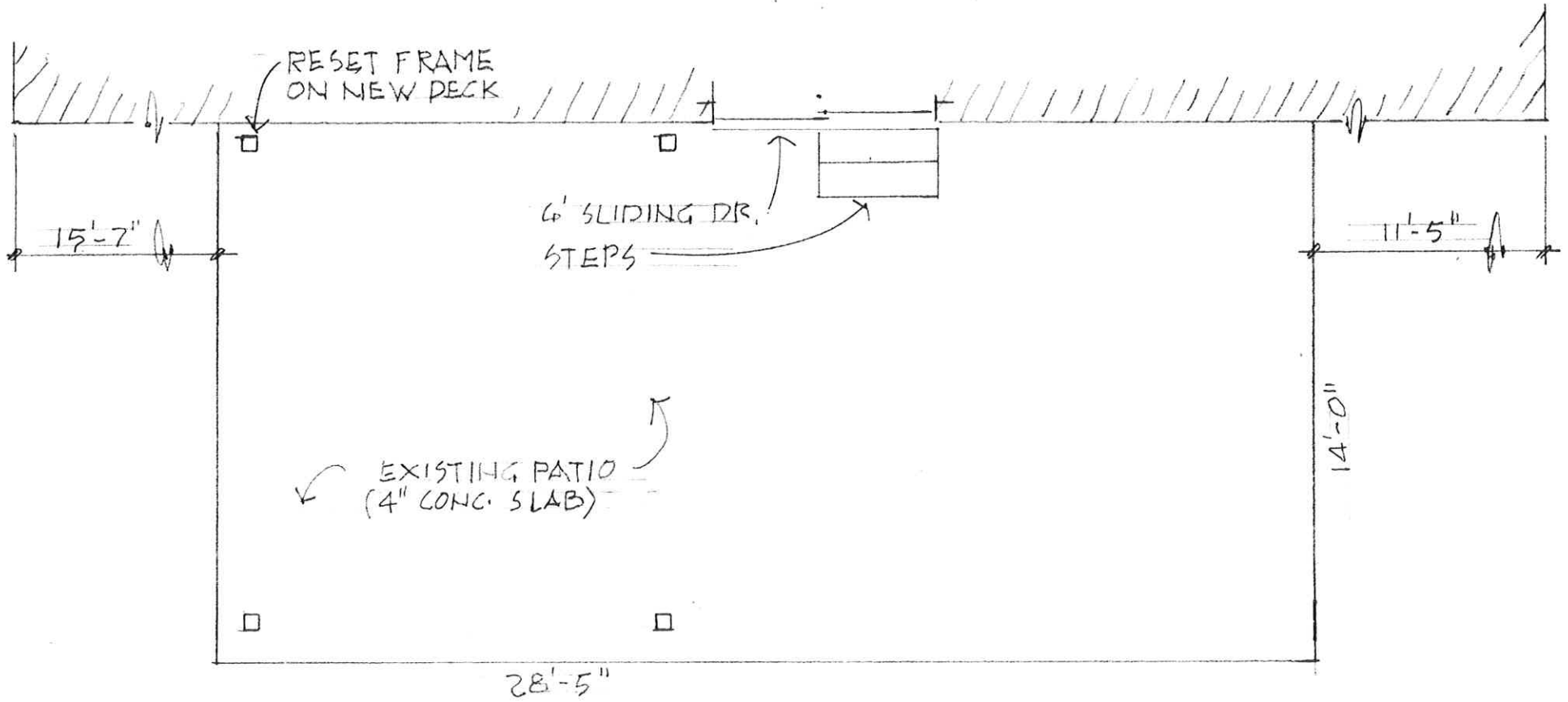
FRONT DECK PLAN VIEW

$\frac{1}{4}'' = 1'-0''$



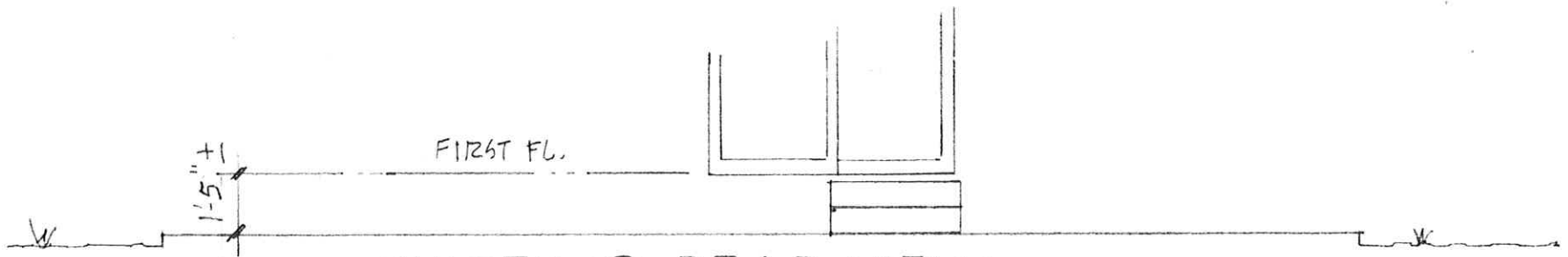
FRONT VIEW

$\frac{1}{4}'' = 1'-0''$



EXISTING PLAN VIEW

$\frac{1}{4}'' = 1'-0''$



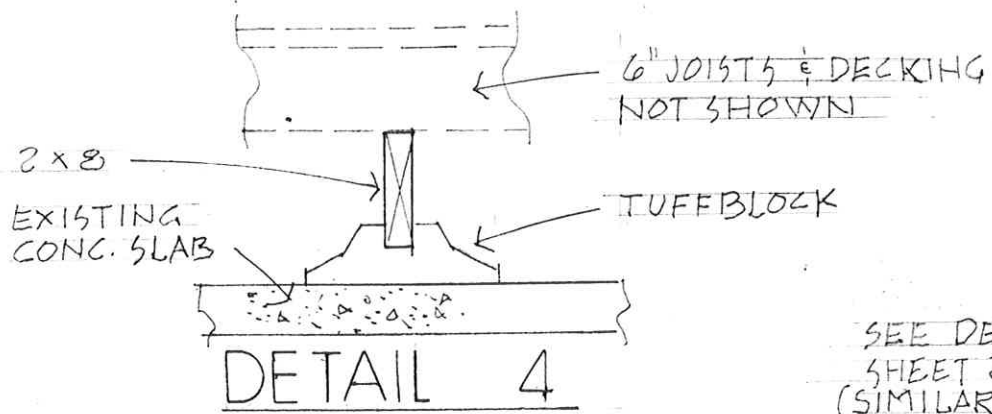
EXISTING REAR VIEW

$\frac{1}{4}'' = 1'-0''$

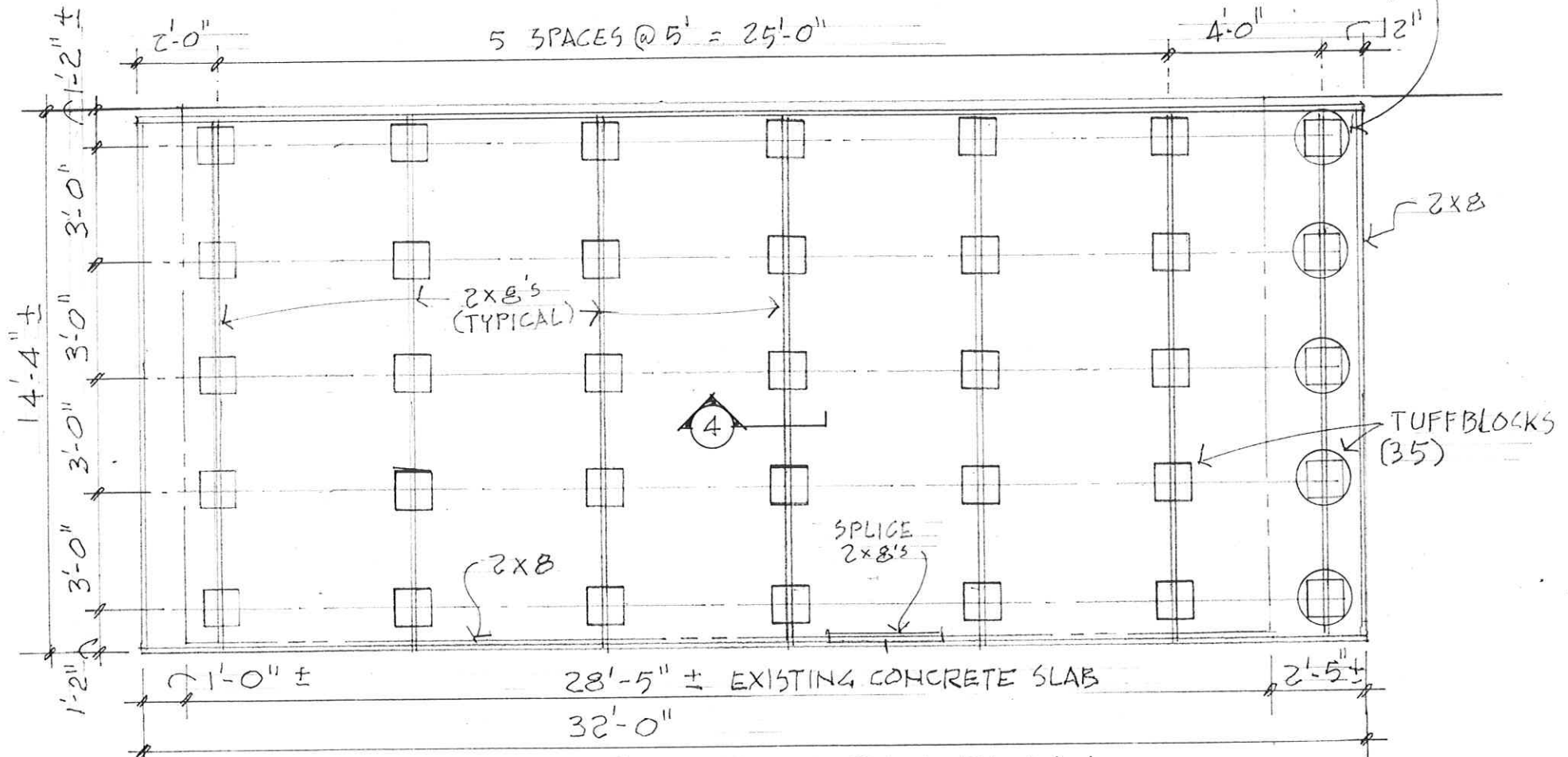
SEE PHOTOS

# NOTES

- 1) ALL LUMBER PRESSURE TREATED
- 2) RAM SET SEVERAL MASHY NAILS INTO EVERY OTHER PERMETER TUFFBLOCK (ABOVE CONC. SLAB)

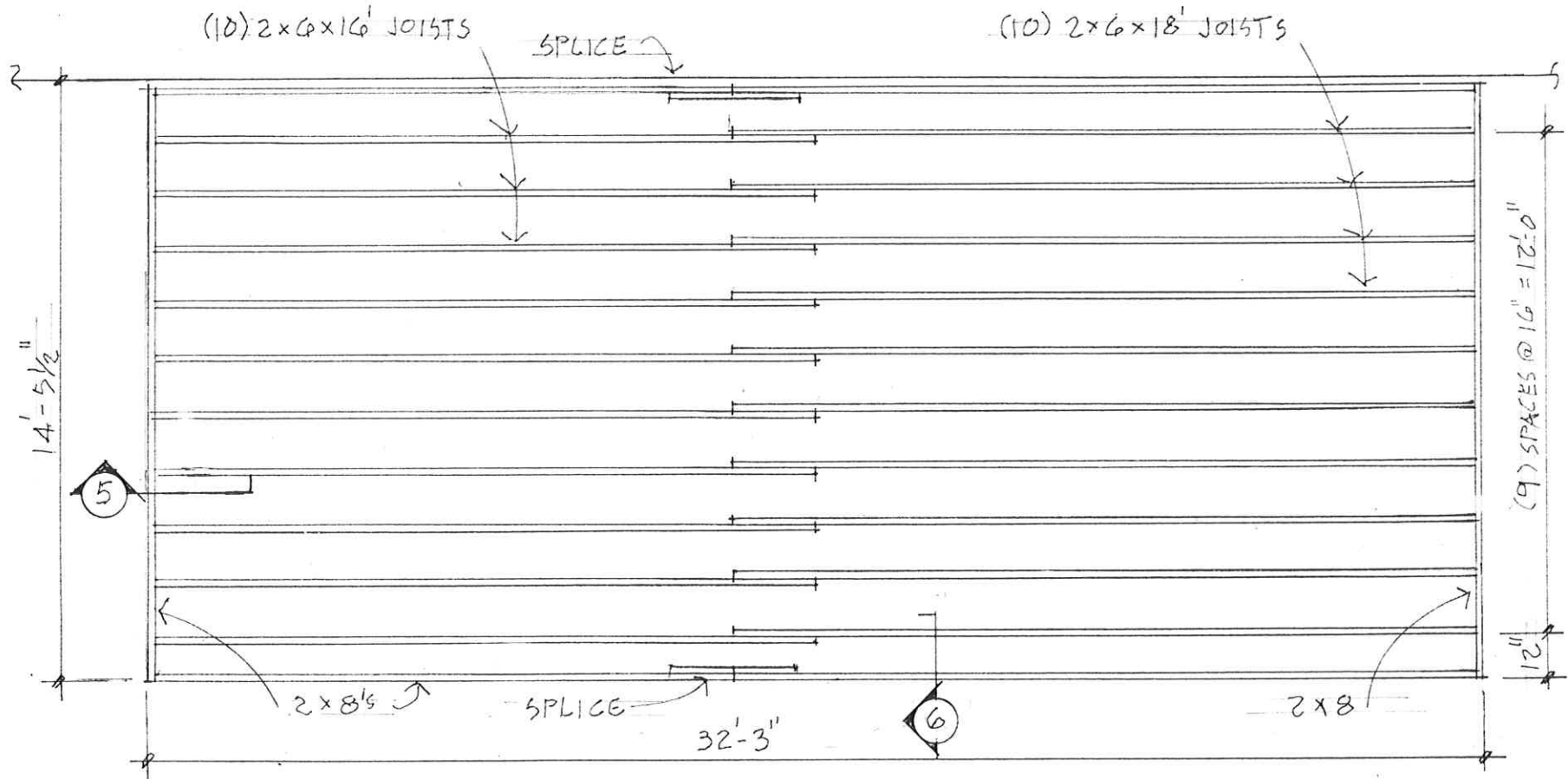
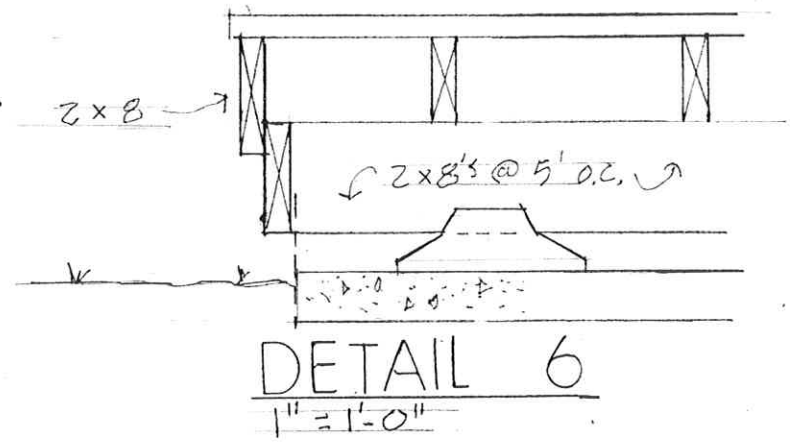
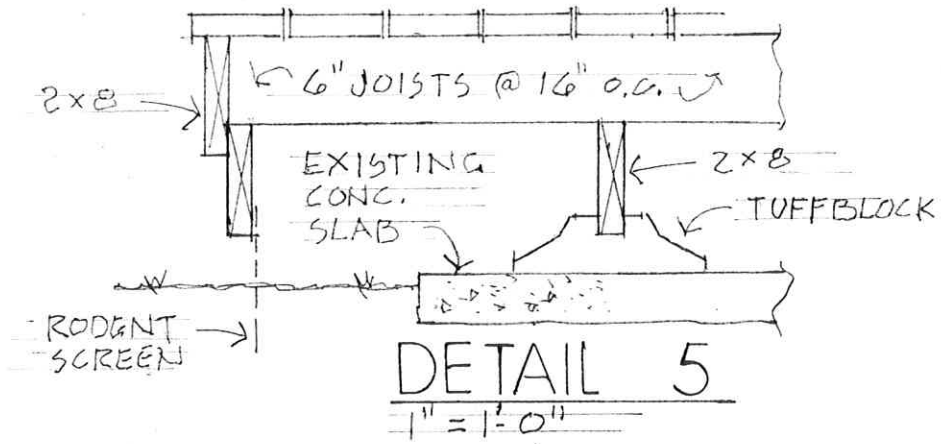


SEE DETAIL 1 SHEET 2 (SIMILAR)

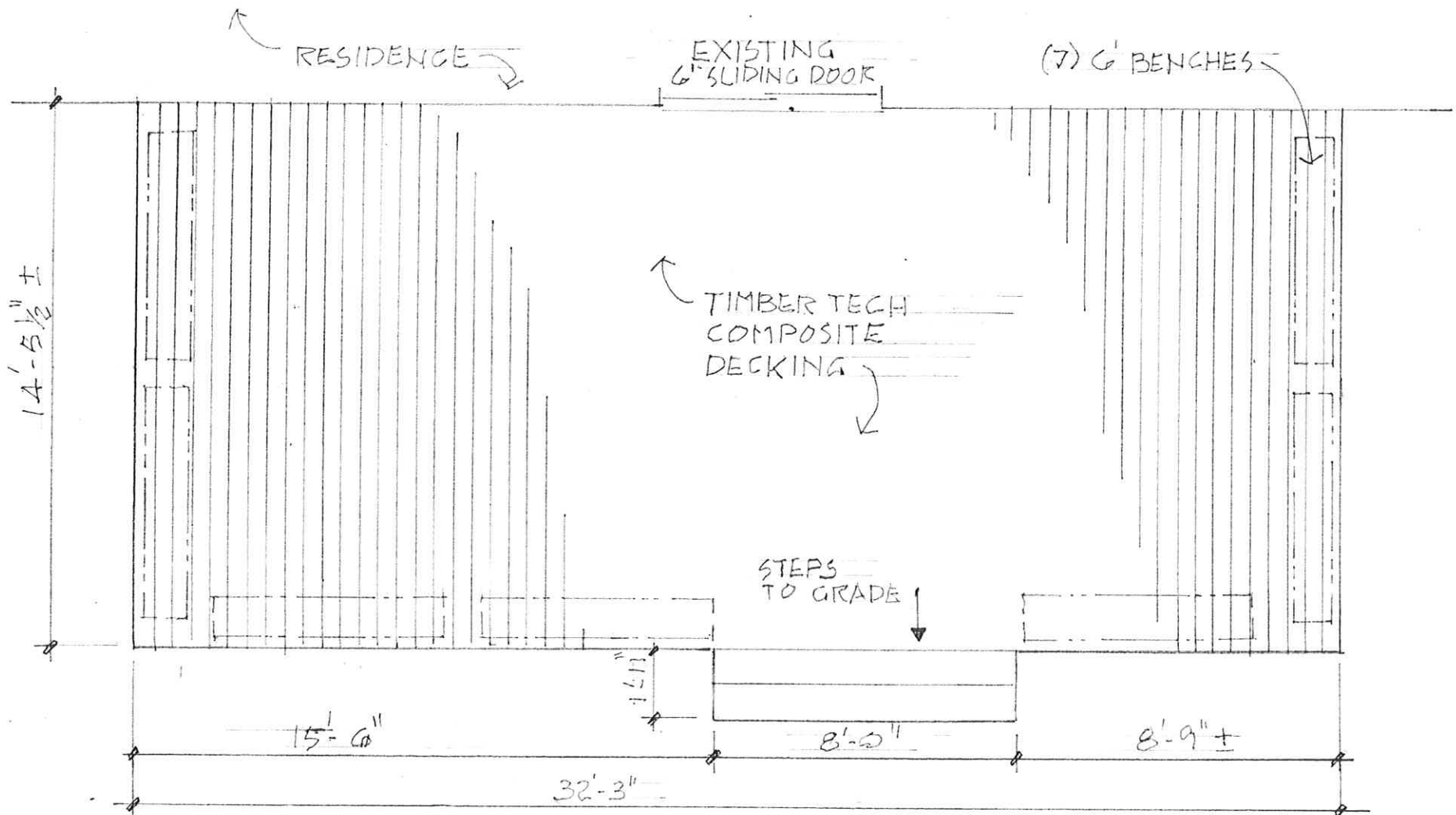


## REAR DECK FOUNDATION PLAN

1/4" = 1'-0"

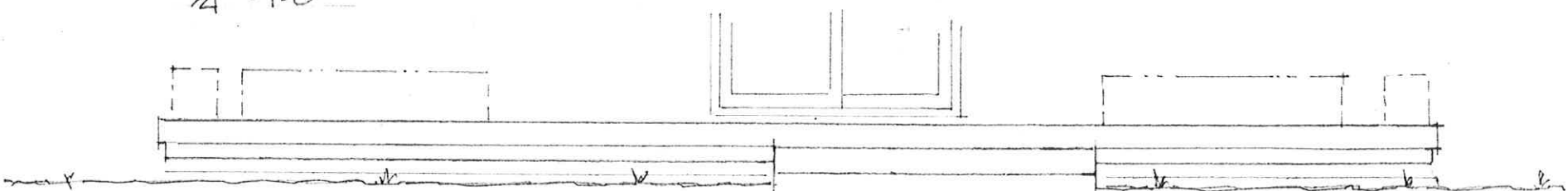


**REAR DECK JOIST FRAMING PLAN**  
1/4" = 1'-0"



REAR DECK PLAN VIEW

1/4" = 1'-0"



REAR VIEW

1/4" = 1'-0"