

LEGEND:

- DECIDUOUS & ORNAMENTAL TREE - SEE DET. 2 SHEET L1.2
- CONIFEROUS TREE - SEE DET. 3 SHEET L1.2
- SHRUB PLANTING - SEE DETS. 1 SHEET L1.2
- LIMITS OF WORK
- ORNAMENTAL FENCE - SEE DET. 4 SHEET L1.2
- 4" TOPSOIL AND SEED TURF TYPE TALL FESCUE

GENERAL NOTES:

1. THIS SHEET IS FOR PLANTING AND TURF INSTALLATION PURPOSES ONLY.
2. PROVIDE AND INSTALL 12" PLANTING SOIL IN ALL SHRUB BEDS.
3. PROVIDE AND INSTALL 4" MIN. TOPSOIL AND SEED ON ALL DISTURBED, NON-PLANTING BED MIX AREAS.
4. SEED WITH TURF MIX ALL DISTURBED AREAS.
5. THE CONTRACTOR IS RESPONSIBLE FOR INSTALLING ALL PLANTS, AS SHOWN ON THE PLANTING PLAN. QUANTITIES PROVIDED ON THE PLANT LIST AND LANDSCAPE MATERIAL SUMMARY ARE FOR ESTIMATION PURPOSES ONLY.
6. ALL SITE UTILITIES ARE SHOWN FOR COORDINATION ONLY; SEE SITE UTILITY PLANS AND SITE ELECTRICAL PLAN. NOTIFY ARCHITECT OF UNFORESEEN CONFLICTS BETWEEN PROPOSED TREE LOCATIONS AND UTILITIES PRIOR TO INSTALLATION.
7. ALL LANDSCAPE IRRIGATION TO BE PROVIDED BY OWNER.
8. ALL PLANT MATERIAL SHALL CONFORM TO THE CURRENT AMERICAN STANDARD FOR NURSERY STOCK.

PLANT LIST

QTY	KEY	BOTANICAL NAME	COMMON NAME	SIZE	ROOTS	NOTES
SHADE TREES						
3	UL-FR	ULMUS X 'FRONTIER'	FRONTIER ELM	2" CAL.	B & B	
ORNAMENTAL TREES						
1	AM-GR	AMELANCHIER X G. 'AUTUMN BRILLIANCE'	AUTUMN BRILLIANCE SERVICEBERRY	6' HGT.	B & B	MULTI STEM
EVERGREEN TREES						
6	CH-GL	CHAMAECYPARIS NOOTKATENSIS 'GLAUCA'	BLUE NOOTKA FALSE CYPRESS	6'	B & B	
6	JU-BU	JUNIPERUS V. 'BURKII'	BURK JUNIPER	6'	B & B	
SHRUBS						
8	AM-NA	AMELANCHIER NANTUCKETENSIS	NANTUCKET SERVICEBERRY	36"	B & B	
23	CL-SP	CLETHRA ALNIFOLIA 'RUBY SPICE'	RUBY SPICE SUMMERSWEET	24"	NO. 5 CONT.	
30	FO-RL	FOTHERGILLA X 'RED LICORICE'	RED LICORICE FOTHERGILLA	18"	NO. 3 CONT.	
8	JU-SG	JUNIPERUS CH. 'SEA GREEN'	SEA GREEN JUNIPER	36"	B & B	
27	JU-PF	JUNIPERUS X PFITZERIANA	PFITZER JUNIPER	36"	B & B	

PRELIMINARY
NOTE!!!
THIS DRAWING IS NOT FOR CONSTRUCTION

DATE PRINTED
MAY 4, 2026

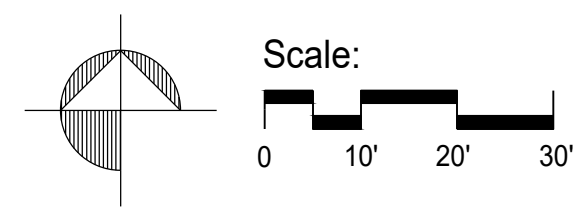
REVISIONS

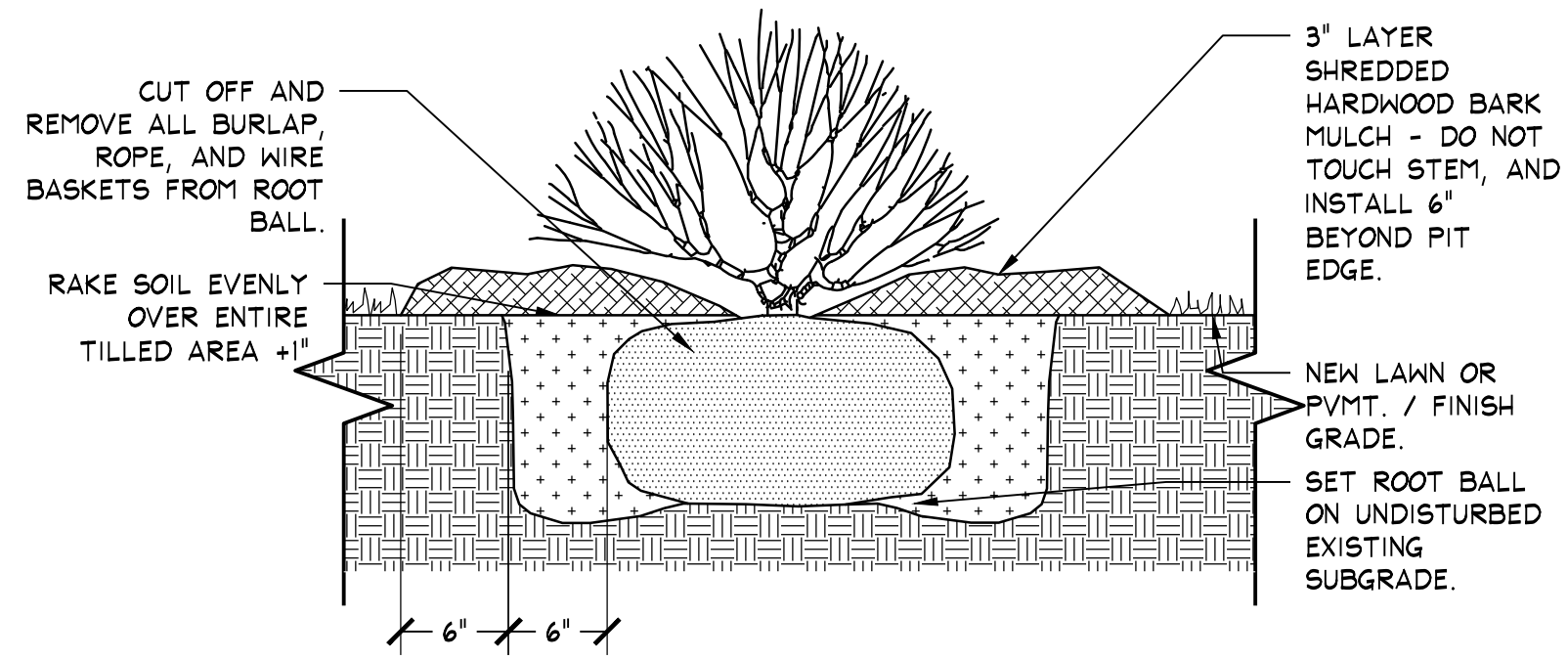
AVID ARCHITECTS
AVIDtransforms.com
330.666.5770

PLANTING PLAN
ROCKY RIVER APARTMENTS
18545 HILLIARD BLVD
ROCKY RIVER, OH 44116
PROJECT #: 25120



1-800-362-2764
CALL TWO WORKING DAYS BEFORE YOU DIG (NON MEMBERS MUST BE CALLED DIRECTLY)



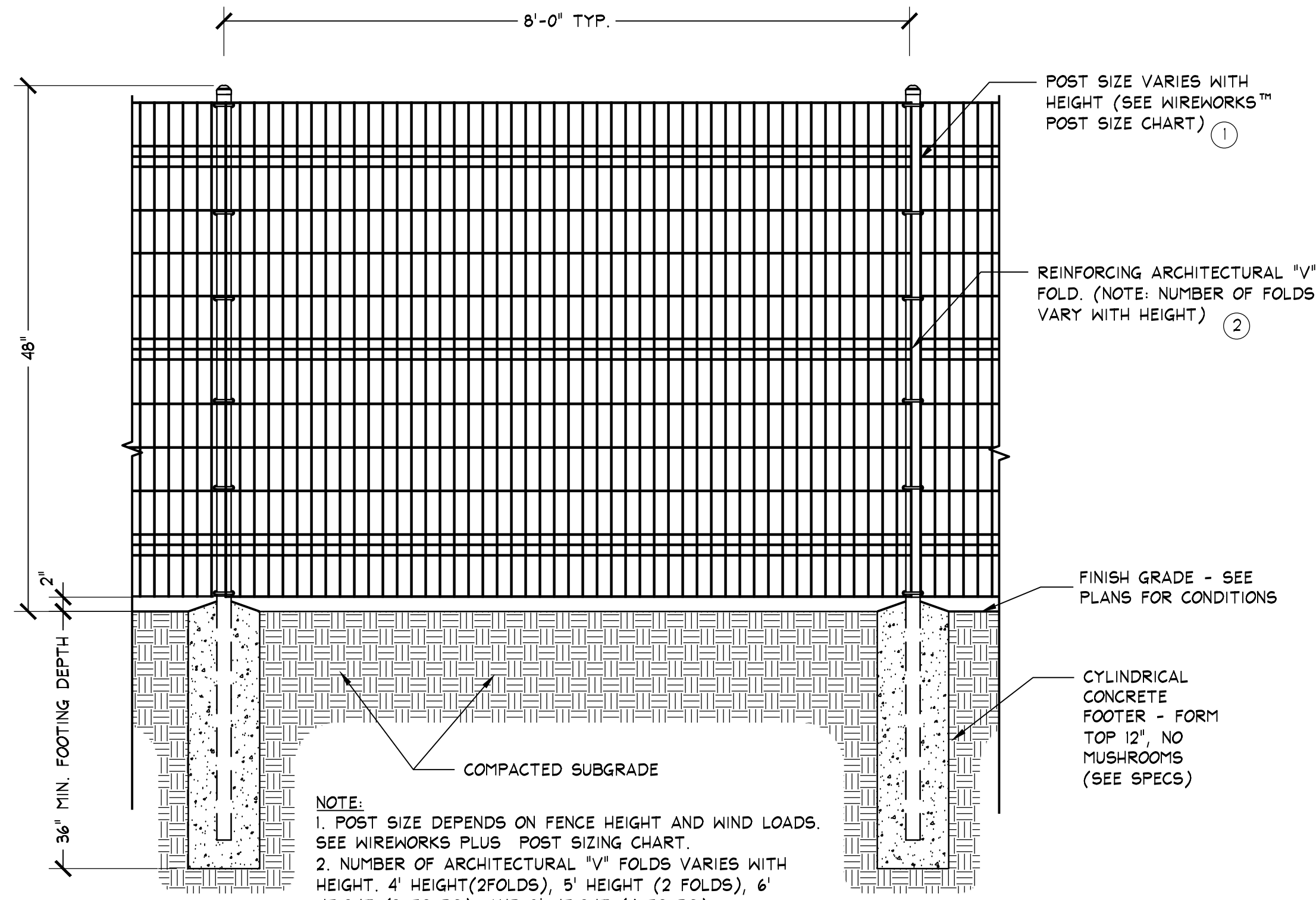


- NOTES:
1. PRIOR TO INSTALLATION, REMOVE ANY EXISTING LAWN OR OTHER VEGETATION.
 2. THOROUGHLY TILL AREA EQUAL TO 3 TIMES THE DIAMETER OF THE ROOT BALL AND TO THE DEPTH OF THE ROOT BALL. PRIOR TO TILLING, REMOVE ANY EXISTING LAWN OR OTHER VEGETATION.
 3. UNIFORMLY SPREAD 3" LAYER OF WELL-DECOMPOSED LEAF MULCH OR OTHER APPROVED COMPOST MATTER OVER ENTIRE AREA. TILL INTO ENTIRE AREA.
 4. THOROUGHLY TILL SHRUB PLANTING PIT 6" GREATER IN DIAMETER THAN SHRUB BALL, AND TO DEPTH OF SHRUB BALL. PROTECT EXISTING TREE ROOTS FROM DAMAGE.
 5. SET SHRUB SO IT BEARS THE SAME RELATION TO THE FINISH GRADE AS IT DID TO THE NATURAL GRADE AT THE NURSERY.
 6. BACKFILL AROUND SHRUB WITH TILLED SOIL AND "WATER IN" BACKFILL IN LAYERS TO SETTLE BACKFILL. INSTALL BACKFILL 1" HIGHER THAN SURROUNDING GRADE TO ALLOW FOR SETTLEMENT.
 7. CONTRACTOR HAS THE OPTION TO PREPARE ENTIRE SHRUB BED, AS DESCRIBED ABOVE, FOR LARGE SHRUB PLANTING BEDS.

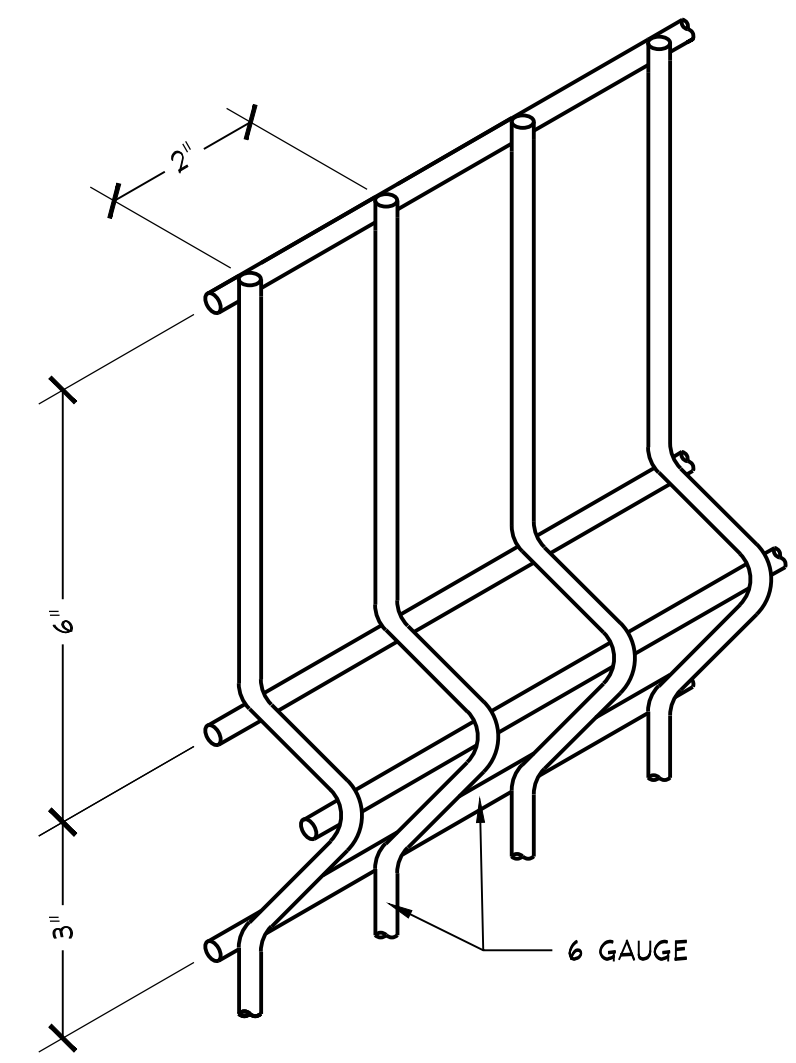
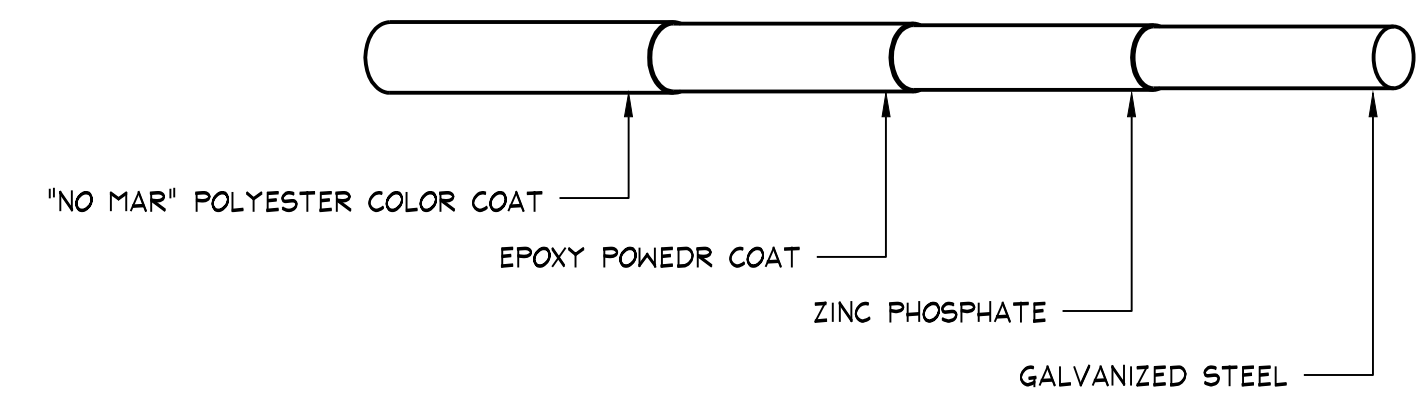
SHRUB PLANTING

Not to Scale

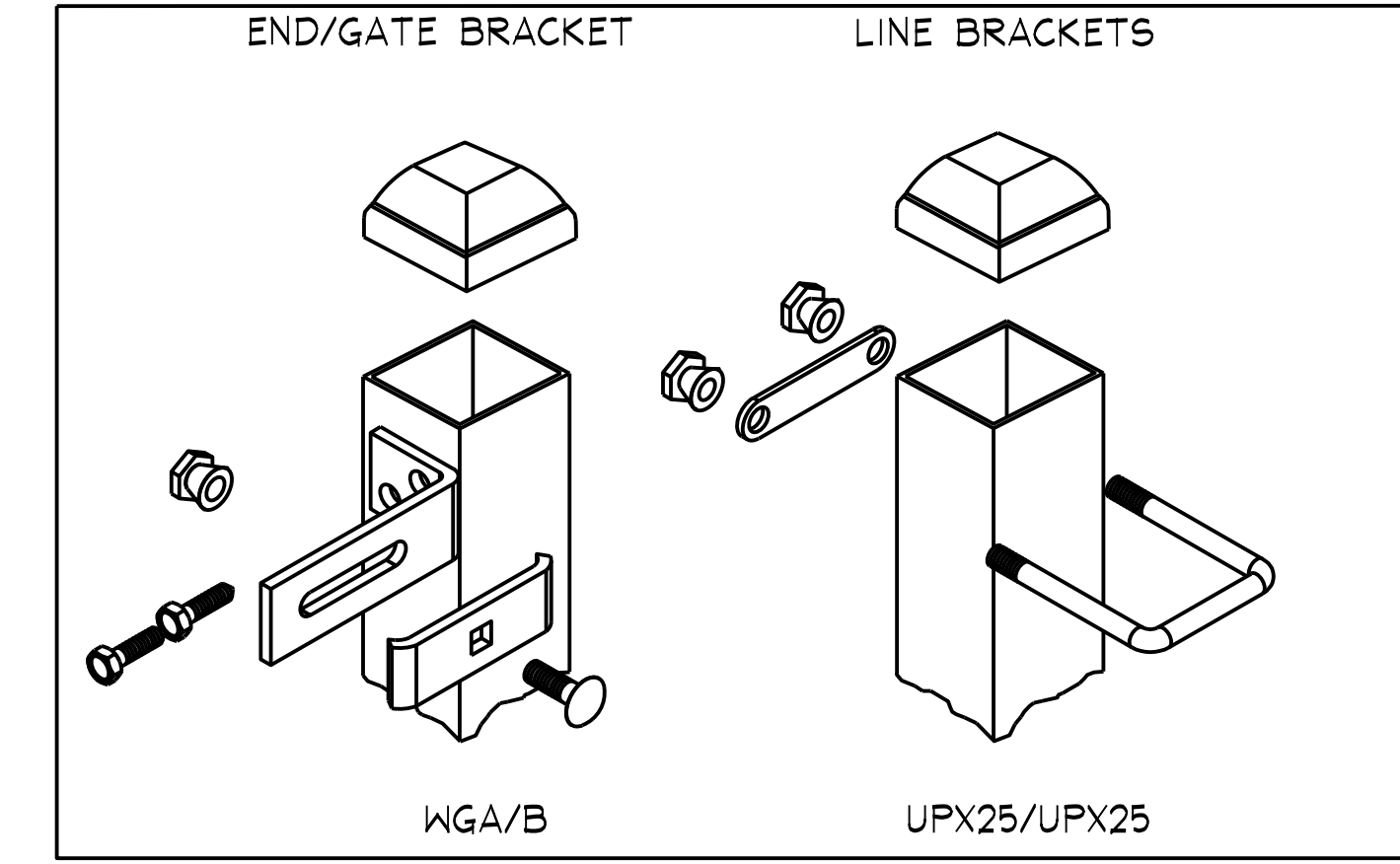
1



- NOTES:
1. POST SIZE DEPENDS ON FENCE HEIGHT AND WIND LOADS. SEE WIREWORKS PLUS POST SIZING CHART.
 2. NUMBER OF ARCHITECTURAL "V" FOLDS VARIES WITH HEIGHT: 4' HEIGHT (2 FOLDS), 5' HEIGHT (2 FOLDS), 6' HEIGHT (3 FOLDS), AND 8' HEIGHT (4 FOLDS).
 3. FOLLOW ALL AMERISTAR INSTALLATION BEST PRACTICES - P: 1-888-333-3422 - W: WWW.AMERISTARFENCE.COM



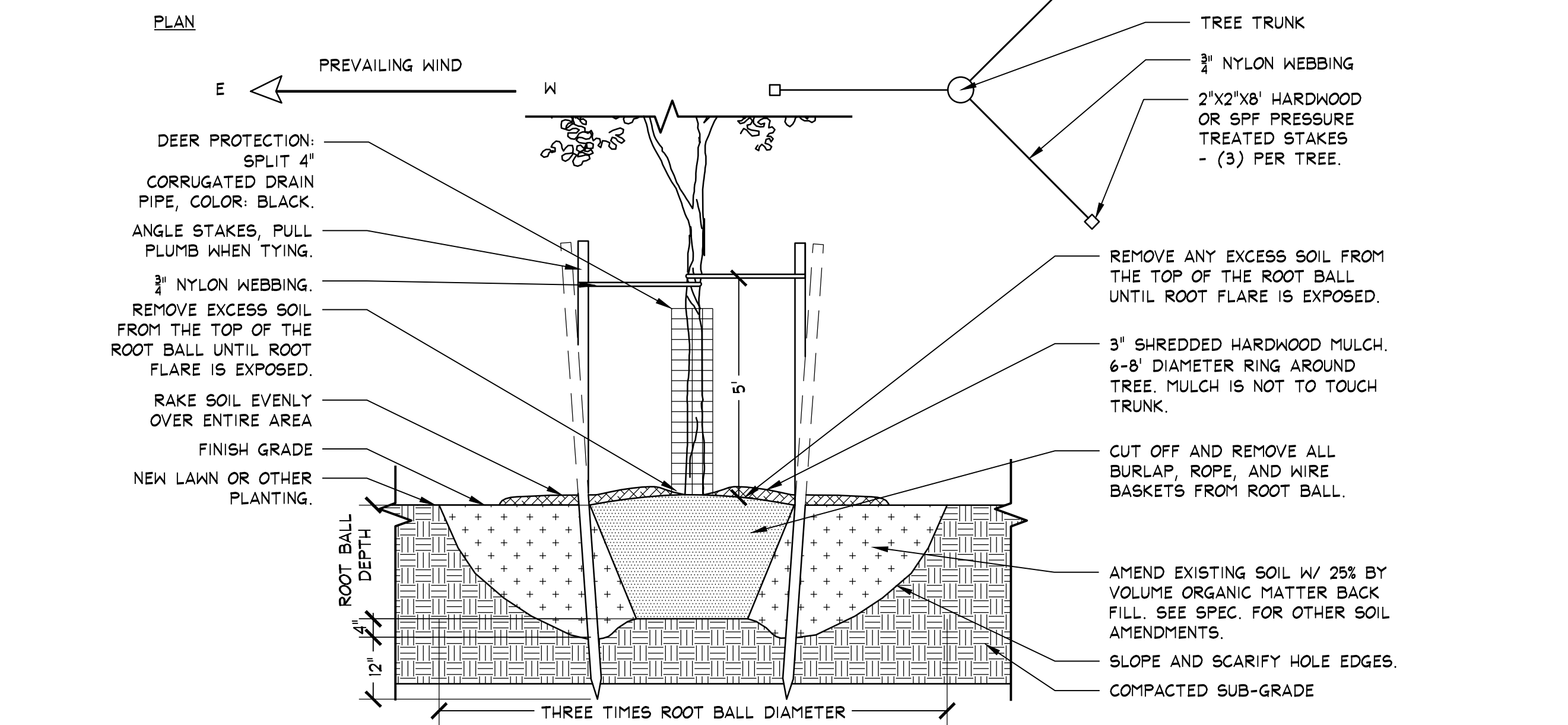
VALUES SHOWN ARE NOMINAL AND NOT TO BE USED FOR INSTALLATION PURPOSES. SEE PRODUCT SPECIFICATION FOR INSTALLATION REQUIREMENTS.



WIRE WORKS PLUS ORNAMENTAL FENCE - AMERISTAR

Not to Scale

4

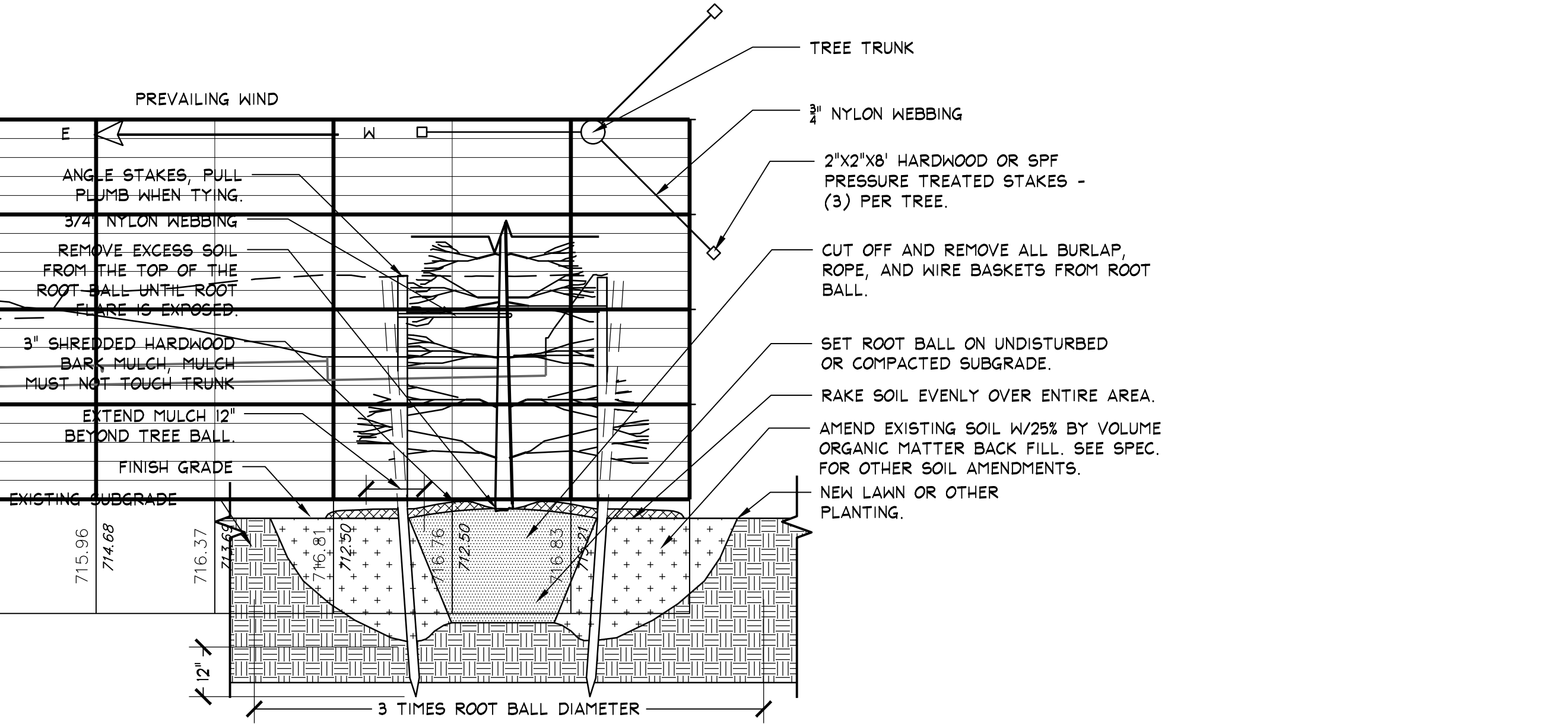


- NOTES:
1. SET ALL PLANTS SO ROOT FLARE IS AT FINISH GRADE.
 2. THOROUGHLY TILL AREA EQUAL TO 3 TIMES THE DIAMETER OF THE ROOT BALL AND TO THE DEPTH OF THE ROOT BALL. PRIOR TO TILLING, REMOVE ANY EXISTING LAWN OR OTHER VEGETATION.
 3. ALL PLANT MATERIALS SHALL BE IN ACCORDANCE WITH THE AMERICAN STANDARDS FOR NURSERY STOCK (ANSI Z60.1-2004).
 4. HANDLE THE TREE BY ROOT BALL ONLY. DO NOT LIFT USING THE TREE TRUNK AND DO NOT USE TREE TRUNK AS LEVER.
 5. BACKFILL AROUND TREE WITH TILLED SOIL AND "WATER IN" BACKFILL IN LAYERS TO SETTLE IN BACKFILL. INSTALL BACKFILL 1" HIGHER THAN SURROUNDING GRADE TO ALLOW FOR SETTLEMENT.
 6. PRUNING SHALL BE LIMITED TO DEAD, DISEASED, OR BROKEN LIMBS ONLY AND SHALL BE IN ACCORDANCE WITH ANSI SPECIFICATIONS.
 7. REMOVE ANY TRUNK WRAP REMAINING AT TIME OF PLANTING. NO WRAPS SHALL BE PLACED ON TRUNK.
 8. REMOVE STAKES AND NYLON TIES AFTER ONE YEAR UNLESS OTHERWISE NOTED.

DECIDUOUS & ORNAMENTAL TREE PLANTING

Not to Scale

2



- NOTES:
1. SET ALL PLANTS SO ROOT FLARE IS AT FINISH GRADE.
 2. THOROUGHLY TILL AREA EQUAL TO 3 TIMES THE DIAMETER OF THE ROOT BALL AND TO THE DEPTH OF THE ROOT BALL. PRIOR TO TILLING, REMOVE ANY EXISTING LAWN OR OTHER VEGETATION.
 3. ALL PLANT MATERIALS SHALL BE IN ACCORDANCE WITH THE AMERICAN STANDARDS FOR NURSERY STOCK (ANSI Z60.1-2004).
 4. HANDLE THE TREE BY ROOT BALL ONLY. DO NOT LIFT USING THE TREE TRUNK AND DO NOT USE TREE TRUNK AS LEVER.
 5. BACKFILL AROUND TREE WITH TILLED SOIL AND "WATER IN" BACKFILL IN LAYERS TO SETTLE IN BACKFILL. INSTALL BACKFILL 1" HIGHER THAN SURROUNDING GRADE TO ALLOW FOR SETTLEMENT.
 6. PRUNING SHALL BE LIMITED TO DEAD, DISEASED, OR BROKEN LIMBS ONLY AND SHALL BE IN ACCORDANCE WITH ANSI SPECIFICATIONS.
 7. REMOVE ANY TRUNK WRAP REMAINING AT TIME OF PLANTING. NO WRAPS SHALL BE PLACED ON TRUNK, UNLESS OTHERWISE NOTED.
 8. REMOVE STAKES AND NYLON TIES AFTER ONE YEAR.

EVERGREEN TREE PLANTING

Not to Scale

3

PRELIMINARY
NOTE!!!
THIS DRAWING IS NOT
FOR CONSTRUCTION

DATE PRINTED
MAY 4, 2026

REVISIONS

AVID ARCHITECTS
AVIDtransforms.com
330.666.5770

PROJECT #: 25120

PLANTING DETAILS
ROCKY RIVER APARTMENTS
18545 HILLIARD BLVD
ROCKY RIVER, OH 44116

L1.2
2 OF 2